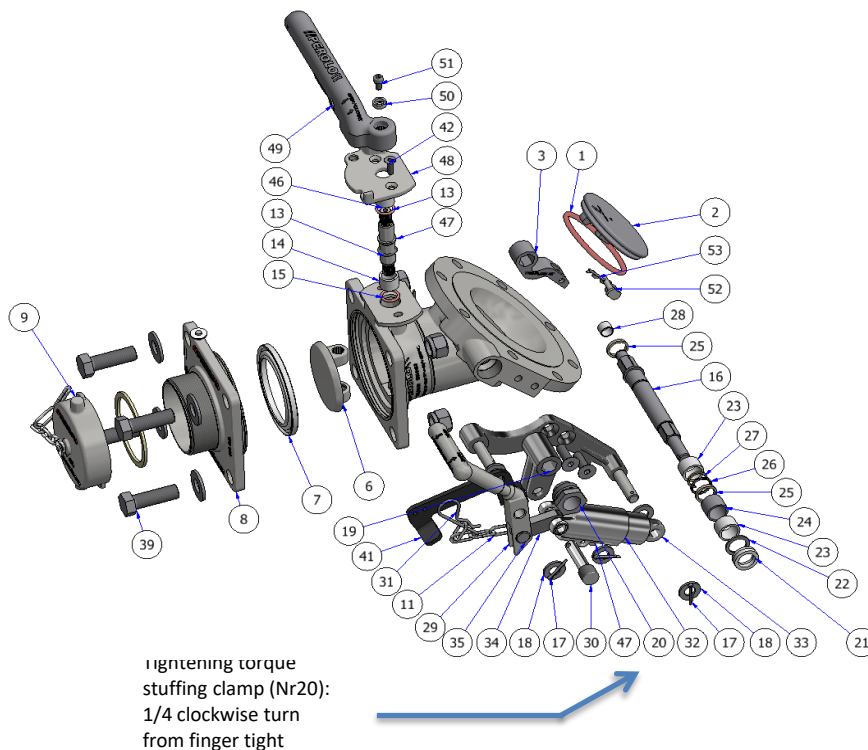


MAINTENANCE

ITEM	QTY	DESIGNATION	PART N°
Spindle kit: on request			
16	1	Spindle, Stainless steel	17 11 25 00 01
19	1	Drive yoke, Stainless steel	-
20	1	Stuffing clamp, Stainless steel	-
Spindle seals kit: 11 11 24 95 00			
17	1	V-pin, Stainless steel	-
18	1	Washer, Stainless steel	-
21	1	Packing ring, Stainless steel	-
22	1	Packing gland, PTFE	11 11 24 00 15
23	2	Spindle bush, PTFE & glass 25%	11 11 24 00 06
24	1	Spacer, Stainless steel	-
25	2	Gasket, Ekonol	70 10 90 00 93
26	1	Stop ring, Stainless steel	-
27	1	Elastic ring, Stainless steel	-
28	1	Spindle bush, PTFE	12 85 30 00 05
Pusher MK4:			
3	1	Pusher, Stainless steel	11 16 92 00 02
Poppet kit: 11 16 92 90 00			
1	1	O'ring, FEP/Silicon	70 10 15 00 53
2	1	Poppet, Stainless steel	11 16 92 00 06
52	1	Poppet Spindle, Stainless steel	11 16 87 00 05
53	1	Beta Pin	11 16 87 00 04
Poppet seal kit: 11 11 24 91 00			
1	1	O'ring, FEP/Silicon	70 10 15 00 53

ITEM	QTY	DESIGNATION	PART N°
Spring system kit: 11 11 14 99 19			
33	1	Female MK2 cage, Stainless steel	11 11 70 0A 03
32	1	Male MK2 cage, Stainless steel	11 11 70 0A 04
31	1	Beta pin, Stainless steel	70 13 20 37 14
18	2	Washer, Stainless steel	-
17	1	V-pin, Stainless steel	-
47	1	Spring, Stainless steel	11 11 70 00 16
11	1	Chain, Stainless steel	-
Handle kit: 11 16 92 20 00			
29	1	Handle, Stainless steel	11 11 83 1A 10
34	1	Connecting rod, Stainless steel	-
35	1	Spindle roller, Stainless steel	-
18	2	Z12 washer, Stainless steel	-
17	1	Split pin, Stainless steel	-
L Handle kit: 11 12 99 10 00			
L	1	Reverse handle, Stainless steel	11 11 70 0A 08
34	1	Connecting rod, Stainless steel	-
35	1	Spindle roller, Stainless steel	-
18	2	Z12 washer, Stainless steel	-
17	1	Split pin, Stainless steel	-
Remote control kit: 11 11 98 90 00			
41	1	Remote control lever, Stainless steel	11 11 70 00 17
40	1	Rope clamp	-
-	1	Spring, Stainless steel	11 11 57 00 02



Nb: Perolo recommends the spindle seals should be changed simultaneously to maintain the valve spindle perfectly tight.

Due to our policy of continuous product improvement, specifications may change without notice - Maintenance sheet PWA 11 22 47 40 00 C

It is the customer's responsibility to check the compatibility between valves material and transported product.
 PEROLO SAS, 69 Rue des Maçons, 33390 Blaye, FRANCE -Phone : + 33 (0)5 5742 67 00 - Email : sales@perolo.com

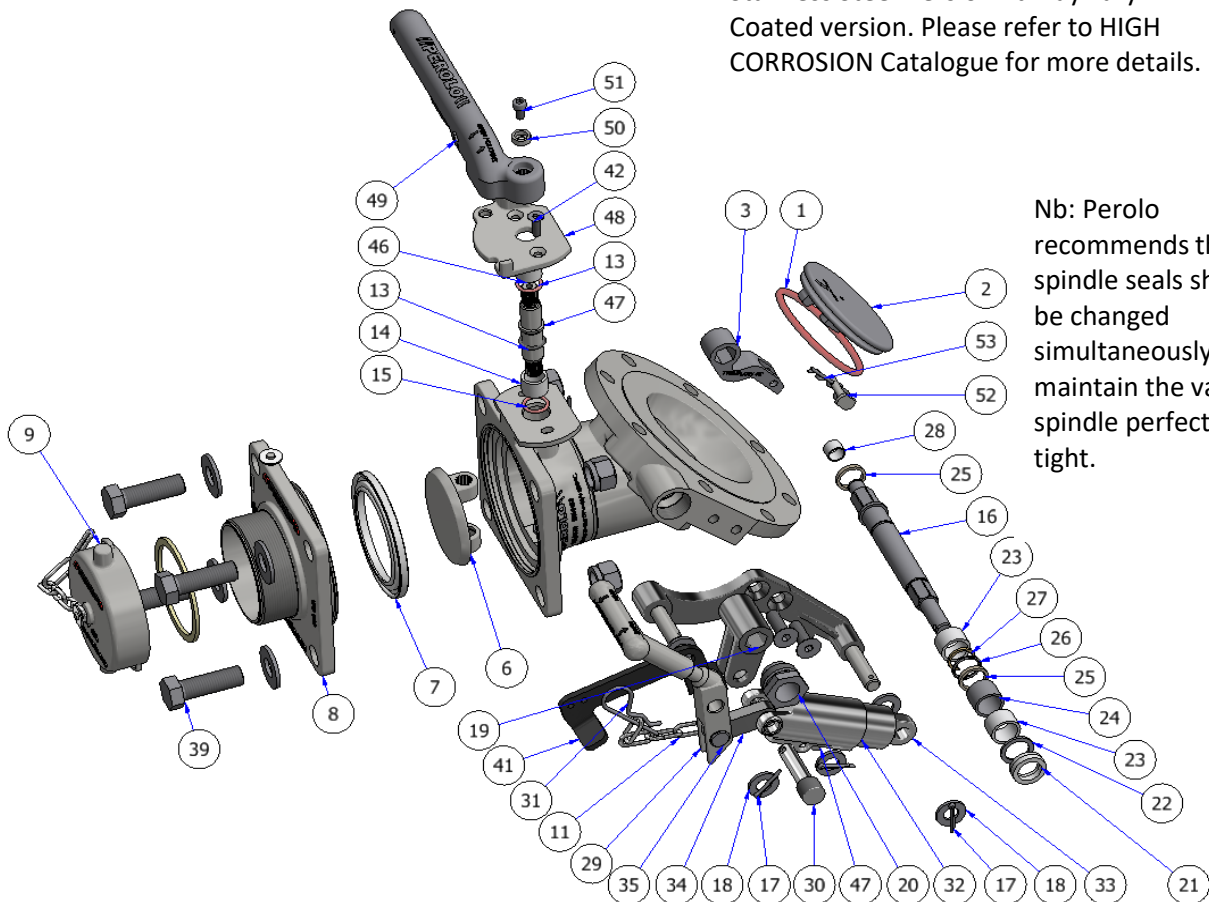


MAINTENANCE

ITEM	QTY	DESIGNATION	PART N°
Closure plate kit: 12 85 57 81 00			
6	1	Closure plate, Stainless steel	11 14 85 20 00
4	1	Closure plate bush, PTFE & glass 25%	12 85 57 00 04
Closure plate seal: 12 85 57 94 00			
7	1	Closure plate seal, PTFE	12 85 57 00 01
Butterfly valve spindle kit:			
13	1	Spindle	17 12 88 00 01
Butterfly valve spindle seals kit: 11 16 92 40 00			
4	1	Closure plate bush, PTFE & glass 25%	12 85 57 00 04
51	1	Screw M6-12, Stainless steel	-
50	1	Ring washer, Stainless steel	-
42	2	Screws M6-20, Stainless steel	-
44	2	Nuts, Stainless steel	-
43	2	Washers, Stainless steel	-
14	1	Spindle bush, PTFE & glass 25%	12 85 30 00 03
15	2	O'rings, FEP & silicon	70 10 15 00 12
47	1	O'rings, FKM & viton	70 10 01 02 12
46	1	Short Spindle bush, PTFE & glass 25%	11 12 62 00 01

ITEM	QTY	DESIGNATION	PART N°
Butterfly valve handle kit: 11 17 58 20 00			
51	1	M6-12 screw, Stainless steel	-
50	1	Washer, Stainless steel	-
49	1	Handle Stainless steel	11 14 85 40 00
Outlet nozzle kit: 11 11 83 93 00			
7	1	Closure plate seal, PTFE	12 85 57 00 01
12	2	Washer, Stainless steel	-
11	1	Chain, Stainless steel	-
10	1	Cap seal, PTFE	12 85 59 00 01
9	1	Cap, Stainless steel	12 85 59 30 01
8	1	Outlet nozzle square, Stainless steel	11 11 83 20 01
Bolting kit: 11 16 92 30 00			
39	4	M16 screw, Stainless steel	-
38	4	M16 washer, Stainless steel	-
37	4	W16 grower washer, Stainless steel	-
36	4	Nut, Stainless steel	-

Material of the parts are indicated for Stainless Steel Version. It may vary in HALAR Coated version. Please refer to HIGH CORROSION Catalogue for more details.



Nb: Perolo recommends the spindle seals should be changed simultaneously to maintain the valve spindle perfectly tight.

