

3" (ND80) TWINFLOW MKIV

Bottom Discharge
VTSXS3



Perolo 3" Twinflow MKIV is designed to be used as a bottom discharge. This combined body comprises both Footvalve and butterfly valve with splined shaft, together with cap, to provide the 3 closures required to comply with Transport Regulations. Made of stainless steel AISI 316L/1.4409, this product is suitable for ISO tank containers, IBC's, road tankers and static tanks dedicated to the transport and storage of chemicals and liquid foodstuff.

SPECIFICATION	
Nominal diameter	80 mm (3")
Weight	15 Kg
Inlet flange	8 holes x Ø14 x 178 PCD
Outlet flange	3" BSP
Working pressure	4 Bar
Test pressure	6 Bar
Working temperature	-40° to +150°C (+190°C for Footvalve)
Design temperature	-40° to +200°C

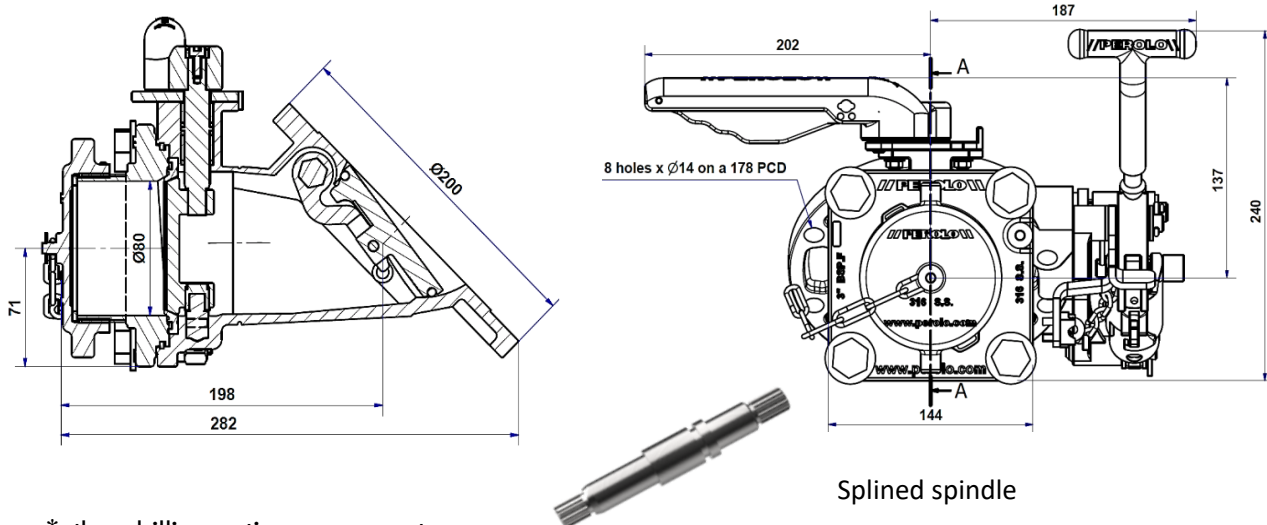
NB: temperature range vary according to o'ring material

CONFORMITY, CERTIFICATION & APPROVAL
ADR / IMDG / RID / EN14433 / EN14432
Approved by : Bureau Veritas - RMR

STANDARD FEATURES (See Codification for option)	
Made of (material)	316L / 1.4409 stainless steel
Body length	45°
Body length	198 mm from center to outlet
O'rings material	FEP/Silicone
Seals material	PTFE
Operating	Side operated handle
Footvalve spring	Spring outside the tank allows easier cleaning
Torque transmission	Splined spindle

ACCESSORIES	
45° weld-in flange	11 90 59 00 00
Seal	12 91 20 00 00
Screw kit	11 11 27 93 00

DIMENSIONAL DRAWING



*other drilling options on request

drawing of 45° footvalve, for drawing of 30° footvalve please contact our sales department

CODIFICATION

STANDARD PART NUMBER: VTSXS3 4 C W . . .

YOUR PART NUMBER: VTSXS3 4 W

OUTLET ANGLE	
45°	4
30°	3

OUTLET NOZZLE - other on request	
With nozzle and cap	C

REMOTE CONTROL	
With remote control system	W

HASTELLOY SEAT	
Without	.
With Hastelloy C276 coated seat	Q

HANDLE	
Standard handle	.
L Handle	L
Reversed L handle	RL
Short handle	C

OUTLET NOZZLE	
Standard 3" BSP outlet nozzle	.
Outlet nozzle with shortened chain	N



BOTTOM DISCHARGE