

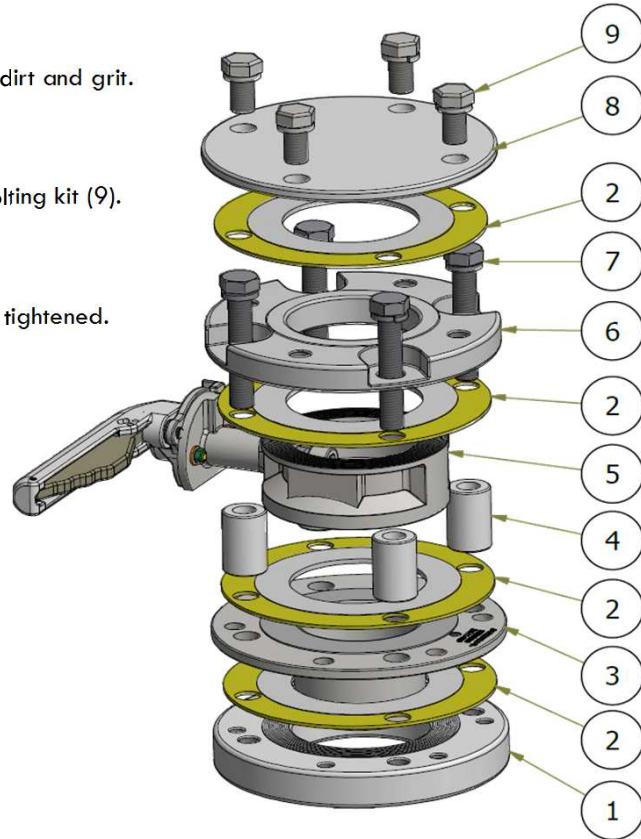
INSTALLATION

CAUTION : Tankfly must be in closed position when the valve is fitted on the tank.

To assembly the 3" Tankfly clamped butterfly valve:

1. Ensure that the Inlet (tank side) flange is clean; free from dirt and grit.
 2. Align drilling pattern of gaskets with that of tank pad.
 3. Center the TANKFLY with weld in flange hole
 4. Mount outlet gasket and blind flange and secure using bolting kit (9).
- The required tightening torque is 70 N.m +/- 5
5. Refer to PWAGENE001 for bolt tightening sequence.

The valve flange should be in contact with tank flange when tightened.



| ITEM | DESCRIPTION | SPECIFICATION | PART N° |
|------|--------------------|---|----------------|
| 8 | Blind flange | Ext Ø 200mm, drilling 4 x 18 x 160 PCD, thickness: 13,5mm , 316L/1.4404 | 11 95 90 00 00 |
| 9 | Screw kit M16-40 | 4 x M16-40 screws & 4 x grower washers, 304L/1.4301 | 11 10 09 91 00 |
| 6 | Adaptor flange | Ext Ø 200mm, ND80, drillings: 4 x 18 x 160 PCD + 4 x M16 x 160PCD, thickness: 24mm, 316M/1.4408 | 12 91 41 00 03 |
| 7 | Screw kit M16-90 | 4 x M16-90 screws & 4 x washers 316L/1.4404 | 12 85 57 00 24 |
| 4 | Spacer | 4 x spacers , plastic | 12 85 57 91 00 |
| 5 | 3" TANKFLY clamped | With standard PTFE seals, 7 bar MAWP, Working temperature -40°C +150°C, 316L stainless steel | TPS8X7T00 |
| 3 | Syphon tube | Ext Ø 200 mm, Tube Ø 80 mm, Tube lenght 69mm, Drilling 6 x 14 x 168 PCD & 4 x 18 160 PCD, 316L/1.4404 | 12 92 18 10 00 |
| 2 | Seal | Ext Ø 185mm, Int Ø 94mm, drilling 4 x 18 x 160 PCD thickness 2.5mm, CNAF/PTFE | 12 91 40 00 00 |
| 1 | Weld in flange | Int Ø 94mm, ext Ø 200mm, drillings: 6 x M12 x 168PCD & 4 x M16 x 160 PCD, thickness 27mm, 316L/1.4404 | 11 90 36 00 00 |

if a piping system linked to the tank is installed on the process side of the valve, we recommend to have a flexible hose in-between the valve and the piping system to avoid any additional stress on the fastening studs

Due to our policy of continuous product improvement, specifications may change without notice - Installation sheet PWA 11 17 58 30 00 A

It is the customer's responsibility to check the compatibility between valves material and transported product.

PEROLO SAS, 69 Rue des Maçons, 33390 Blaye, FRANCE -Phone : + 33 (0)5 5742 67 00 - Email : sales@perolo.com

