



The 3" TANKFLY clamped butterfly valve is designed to be clamped between 2 flanges or directly onto the pipe work. NEW model with splined shaft for even better handling.



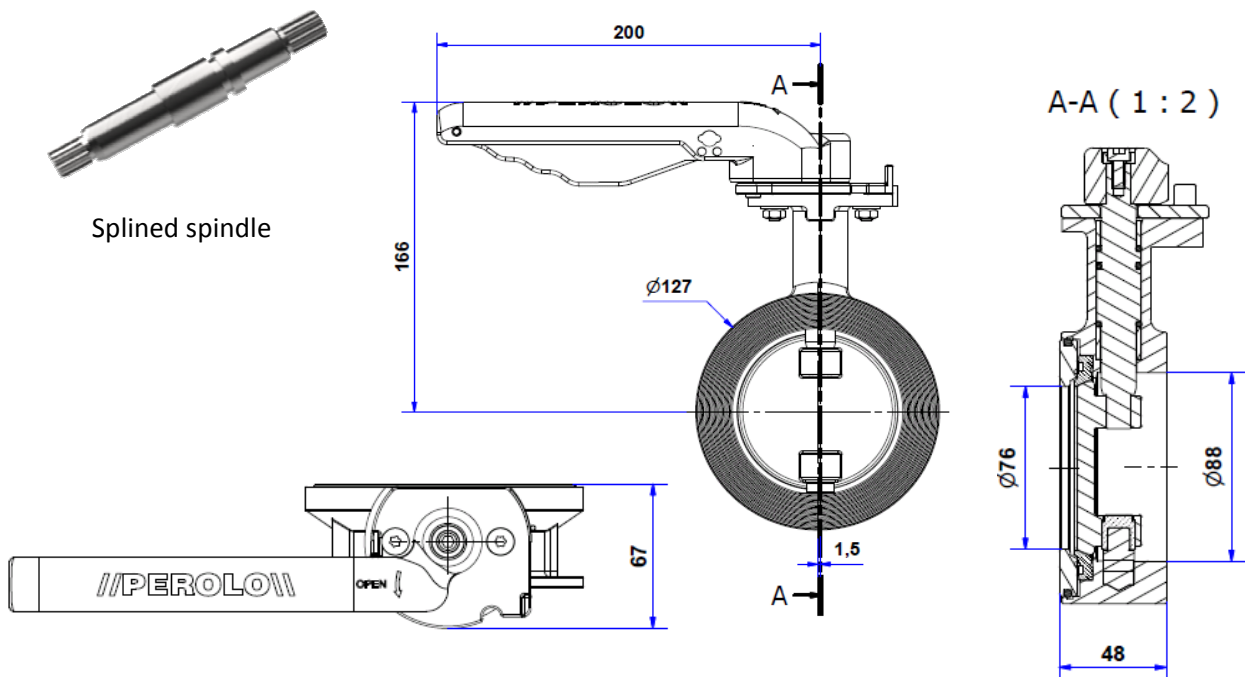
| SPECIFICATION       |                                       |
|---------------------|---------------------------------------|
| Nominal diameter    | 80 mm (3")                            |
| Weight              | 3,15 KG                               |
| Inlet flange        | Clamped between DIN or ANSI Flange    |
| Outlet flange       | Clamped between DIN or ANSI Flange    |
| Working Pressure    | 7 Bar                                 |
| Test Pressure       | 10.5 Bar                              |
| Working Temperature | STD:-40° to +150°C/ HT°:-20° to 250°C |
| Design Temperature  | STD:-40° to +250°C/ HT°:-20° to 250°C |

| ACCESSORIES      |                |
|------------------|----------------|
| Weld in flange   | 11 90 36 00 00 |
| Seal             | 12 91 40 00 00 |
| Adaptor flange   | 12 91 41 00 03 |
| Blind flange     | 11 95 90 00 00 |
| Screw kit M16-90 | 12 85 57 00 24 |
| Screw kit M16-40 | 11 10 09 91 00 |
| Remote control   | RMT53          |

| CONFORMITY, CERTIFICATION & APPROVAL   |  |
|--|--|
| Comply with ADR / IMDG / RID / EN14432 |  |
| Approved by Bureau Veritas - RMR       |  |

| STANDARD FEATURES  |                                |
|--------------------|--------------------------------|
| Made of (material) | 316 / 1.4408 stainless steel   |
| Compact Design     | Face to face 48 mm             |
| Operation          | Handle - 1/4 turn with Locking |
| Closure plate seal | PTFE                           |

### DIMENSIONAL DRAWING



#### CODIFICATION



|                             |      |   |   |   |   |   |
|-----------------------------|------|---|---|---|---|---|
| <b>STANDARD PART NUMBER</b> | TPS8 | X | 7 | T | 0 | 0 |
|-----------------------------|------|---|---|---|---|---|

|                         |      |  |   |  |  |  |
|-------------------------|------|--|---|--|--|--|
| <b>YOUR PART NUMBER</b> | TPS8 |  | 7 |  |  |  |
|-------------------------|------|--|---|--|--|--|

| MATERIAL                     |   |
|------------------------------|---|
| 316 / 1.4408 stainless steel | X |
| 904L stainless steel         | U |

| MAWP  |   |
|-------|---|
| 7 bar | 7 |

| SEAL MATERIAL & WORKING TEMP. |   |
|-------------------------------|---|
| PTFE seal - Standard WT       | T |
| HT seal - WT: -20°C to 250°C  | H |
| PTFE seal - CE1935/2004       | A |

| CLOSURE PLATE          |   |
|------------------------|---|
| Standard closure plate | 0 |
| Spheric closure plate  | S |

| OPENING MECHANISM                             |    |
|---|----|
| Standard manual opening                       | 0  |
| Manual with remote control handle             | W  |
| Pneumatic with double rack pneumatic actuator | P1 |
| Pneumatic with rotating actuator              | P2 |