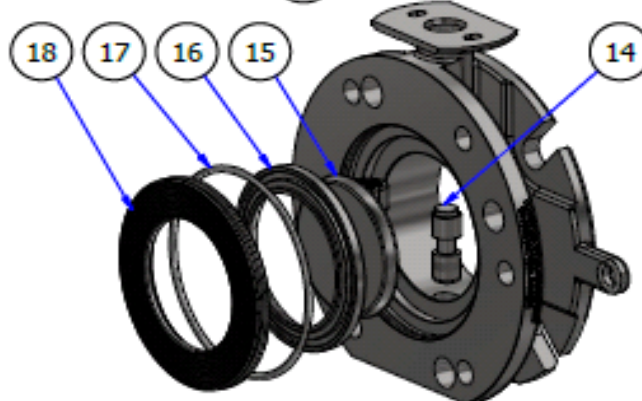
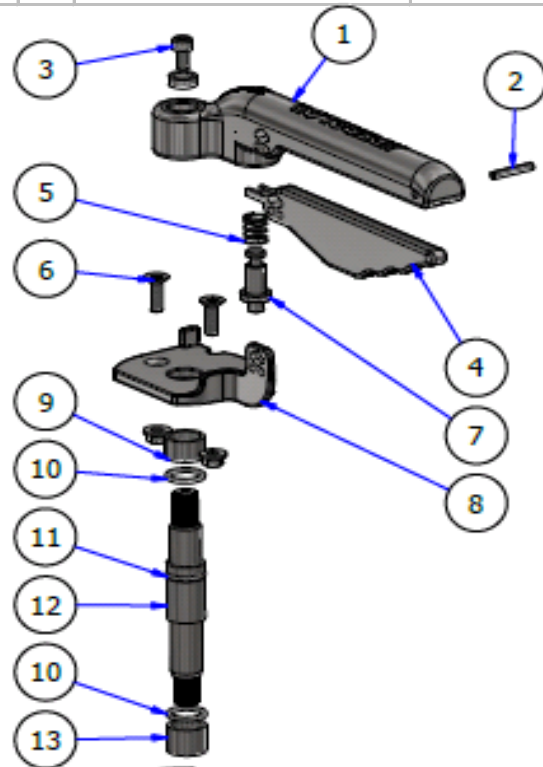


### MAINTENANCE

ITEM	QTY	DESIGNATION	PART N°
<b>Handle kit: 11 14 85 40 00</b>			
1	1	Handle, stainless steel	11 14 85 40 01
2	1	Split pin, stainless steel	-
3	1	Screw M6-12	-
	1	Washer	-
4	1	Handle lever, stainless steel	11 11 83 40 03
5	1	Handle Spring, stainless steel	-
7	1	Locking Pin, stainless steel	-
<b>Spindle &amp; Spindle Seals kit: 11 12 62 97 00</b>			
6	2	Screws M6-20	-
	2	Washers	-
	2	Nuts	-
9	1	Spindle bush, PTFE & glass 25%	12 85 30 00 03
	1	Short spindle bush	11 12 62 00 01
10	2	O'ring, FEP & silicone	70 10 15 00 12
11	1	O'ring, FKM/Viton (Green)	70 10 01 02 12
12	1	Spindle, 1.4462	12 85 57 00 23
<b>Spindle:</b>			
12	1	Spindle, 1.4462	12 85 57 00 23
<b>Closure plate seal kit: 12 85 57 94 00</b>			
16	1	Closure plate seal, PTFE	12 85 57 00 01
<b>Closure plate seal kit (10 pack): 12 85 57 99 01</b>			
16	10	Closure plate seal, PTFE (10 pack)	12 85 57 00 01
<b>Closure plate kit: 12 85 57 81 00</b>			
14	1	Closure plate bush, PTFE & glass 25%	12 85 57 00 04
15	1	Closure plate, stainless steel	11 14 85 20 00

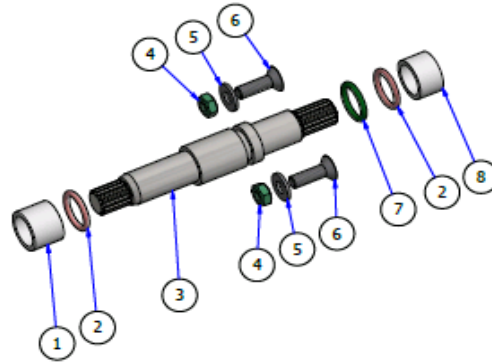
ITEM	QTY	DESIGNATION	PART N°
<b>Clamping ring kit: 12 85 57 95 00</b>			
14	1	O'Ring, nitril	70 10 03 07 05
17	1	Clamping ring, stainless steel	12 85 57 00 02
<b>Spindle Seals kit: 11 12 62 91 00</b>			
3	1	Screw M6-12,	-
11	1	O'ring, FKM/Viton (Green)	70 10 01 02 12
10	2	O'ring, FEP & silicone	70 10 15 00 12
	2	Screws M6-20	-
	2	Washers	-
9	2	Nuts	-
	1	Spindle bush, PTFE & glass 25%	12 85 30 00 03
1	Short spindle bush	11 12 62 00 01	



If you want to upgrade a hexagonal spindle to a splined spindle, please order spindle & spindle seals kit 1112629700, handle kit 1114854000 and closure plate kit 1285578100

SPINDLE & SEALS KIT 1112629700 for TANKFLY™ butterfly valve Flanged & Clamped

ITEM	QTY	DESIGNATION	PART N°
<b>Spindle &amp; Spindle Seals kit:</b>			<b>11 12 62 97 00</b>
6	2	Screws M6-20	-
5	2	Washers	-
4	2	Nuts	-
1	1	Spindle bush, PTFE & glass 25%	12 85 30 00 03
8	1	Short spindle bush	11 12 62 00 01
2	2	O'ring, FEP & silicone	70 10 15 00 12
7	1	O'ring, FKM/Viton (Green)	70 10 01 02 12
3	1	Spindle, 1.4462	12 85 57 00 23



Tankfly Spindle Seals assembly according PEROLO Serial Number

PREVIOUS ASSEMBLY

Serial Number	
From :	Until :
Beginning	0354 14

O'ring, FEP & silicone

O'ring, FEP & silicone

Serial Number	
From :	Until :
0010 15	0173 16
&	
R 0385 15	R 4676 16

O'ring, FEP & silicone or FFKM

11 12 62 94 00 can replace the 2 previous assemblies with hexagonal spindle

CURRENT ASSEMBLY WITH HEXAGONAL SPINDLE

Serial Number	
From :	Until :
0247 16	now
&	
R 4677 16	now

CURRENT ASSEMBLY WITH SPLINED SPINDLE

Serial Number	
From :	Until :
TBD	/
&	
TBD	/

If you want to upgrade a hexagonal spindle to a splined spindle, please order spindle & spindle seals kit 1112629700, handle kit 1114854000 and closure plate kit 1285578100