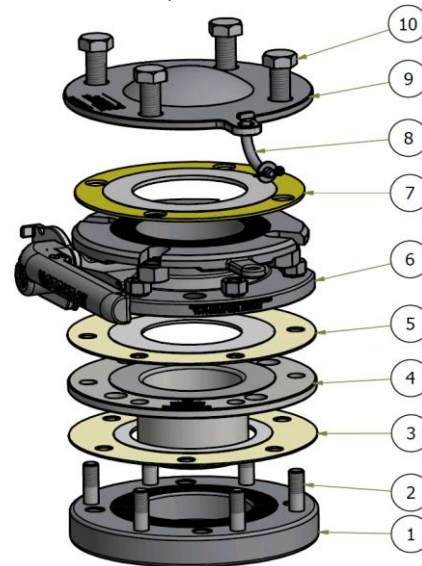


INSTALLATION

CAUTION : Tankfly must be in closed position when the valve is fitted on the tank.

1. Check Inlet (tank side) flange is clean, free from dirt and grit.
2. Screw the studs into the weldin flange, lubricate with PTFE added grease before installing the studs
3. Place the gasket
4. Install the valve on the flange, secure with washer and nuts (refer to PWAGEN001 fort bolt tightening sequence)
5. Tighten the nuts torque : 70 N.m +/- 5 (when M16 screw), 50 N.m +/- 5 (when M12 screw)
6. Install gasket, bolting kit and blind flange on the valve outlet flange (refer to PWAGEN001 fort bolt tightening sequence)
7. Open and close the valve 3 times to check the operationnal torque.



ITEM	DESCRIPTION	SPECIFICATION	PART N°
9	Dished blind flange	Ext Ø 200 mm, thickness 8 mm, 4 x 18 x 160PCD, 316L stainless steel	11 90 41 00 00
10	Screw kit	4xM16-40 screws + 4 x lock washers and 4xM16 nuts	12 91 61 92 00
8	Pivot pin	Pivot Pin	12 91 52 00 00
7	Gasket	Ext Ø 200mm, Int Ø 94mm, thickness 2mm drilling 4x18x160PCD, CNAF/PTFE gasket	12 91 40 00 00
6	3" TANKFLY butterfly valve	inlet drilling 6 x Ø14 x 168 PCD / 4 x Ø18 x 160 PCD , outlet 4 x slotsØ18 x 146 PCD, 316L st st	TFS8X7T1100
2	Stud kit	6xM12-40 studs + 6 x lock washers and 6 x M12 nuts	12 91 61 91 00
5	Gasket	Ext Ø 200mm, Int Ø 81mm, thickness 2mm drilling 6x14x168PCD, CNAF/PTFE gasket	12 91 48 00 00
4	Siphon tube	Ext Ø 200 mm, Tube length 89 mm 6x14x168PCD non equispaced & 4x18x160PCD equispaced CF8M, EN 10213-4	12 92 18 10 00
3	Gasket	Ext Ø 200mm, Int Ø 94mm, thickness 2mm drilling 6x14x168PCD, CNAF/PTFE gasket	11 90 92 00 00
1	Weld in flange	Int Ø94mm, ext Ø200mm, thickness 26.5mm, 6xM12x168PCD & 4xM16x160PCD, 316L Stainless Steel	11 90 36 00 00

if a piping system linked to the tank is installed on the process side of the valve, we recommend to have a flexible hose in-between the valve and the piping system to avoid any additional stress on the fastening studs

Due to our policy of continuous product improvement, specifications may change without notice - Installation sheet PWA 11 17 57 30 00 A

It is the customer's responsibility to check the compatibility between valves material and transported product.

PEROLO SAS, 69 Rue des Maçons, 33390 Blaye, FRANCE -Phone : + 33 (0)5 5742 67 00 - Email : sales@perolo.com