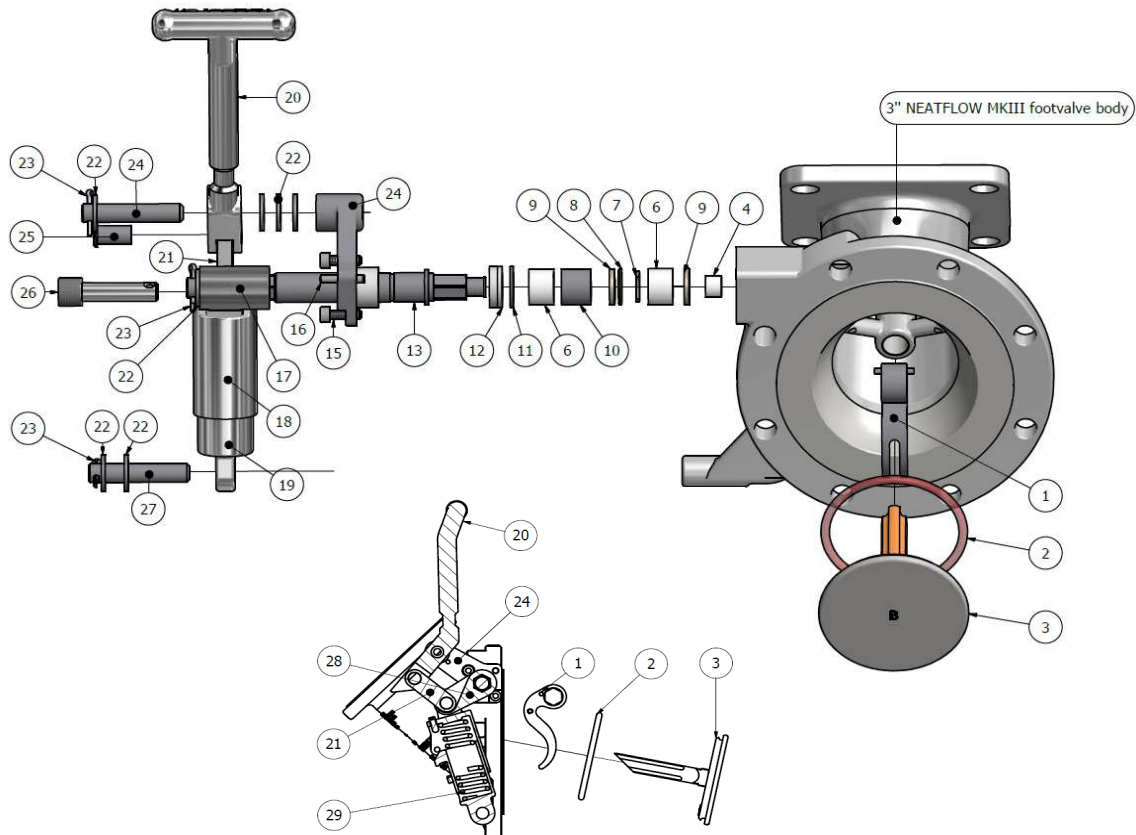


3" (ND80) NEATFLOW MKIII Footvalve - NL3

MAINTENANCE

Item	Qty	Designation	Part Number
13	1	Spindle Spindle, 316L/1.4404	17 11 25 00 01
4	1	Spindle seals kit Spindle bush, PTFE & 25% Glass	11 11 24 95 00
9	2	Elastic gasket, Ekonol / S.S.	
6	2	Spindle bush, PTFE & 25% Glass	
7	1	Elastic ring, 316L/1.4404	
8	1	Stop ring, 316L/1.4404	
10	1	Spacer, 316L/1.4404	
11	1	Packing gland, PTFE	
12	3	Packing ring, 316L/1.4404	
22		Washer, S.S.	
21		V-pin, S.S.	
1	1	Lift fork Lift fork (type C), 316L/CF3M	11 16 25 92 00
2	1	Poppet seal O'ring, FEP/Silicon	11 11 24 91 00
3	1	Poppet kit Poppet, 316L/1.4404	11 16 25 93 00
2	1	O'ring, FEP/Silicon	
3	1	Congealing Poppet kit Conical poppet, 316L/CF3M	11 16 25 93 20
2	1	O'ring, FEP/Silicon	

Item	Qty	Designation	Part Number
		Spring system kit	11 11 70 95 00
18	1	Female MK2 case, 316/CF8M	
19	1	Male MK2 casting, 316/CF8M	
26	1	Removable shaft, 316L/1.4404	
23	1	V-pin, S.S.	
22	2	Washer, S.S.	
27	1	Beta pin, S.S.	
29	1	Spring, S.S.	
1	1	Chain, 316L/1.4404	
1	1	M6-16 screw, 304/1.4301	
20	1	Handle kit Handle, 316L/1.4409	11 16 25 94 00
21	1	Connecting rod, 316/CF8M	
28	1	Spindle roller, 304L/1.4307	
22	2	Z12 washer, 316L/1.4404	
23	1	Split pin, 316L/1.4404	
20	1	L Handle kit L handle, 316L/1.4409	11 12 99 10 00
21	1	Connecting rod, 316/CF8M	
28	1	Spindle roller, 304L/1.4307	
22	2	Z12 washer, 316L/1.4404	
23	1	Split pin, 316L/1.4404	
		Remote control kit	11 16 25 95 00
1	1	Remote control lever, 316L/1.4404	
1	1	Spring, 302	
1	1	M5 nut, 304L/1.4307	
1	1	M6 washer, 316L/*1.4404	
1	1	Rope clamp, 316L/1.4404	



Maintenance sheet PWA 11 16 25 40 01 B - ND80 Neatflow MKIII footvalve

Due to our policy of continuous product improvement, specifications may change without notice.

