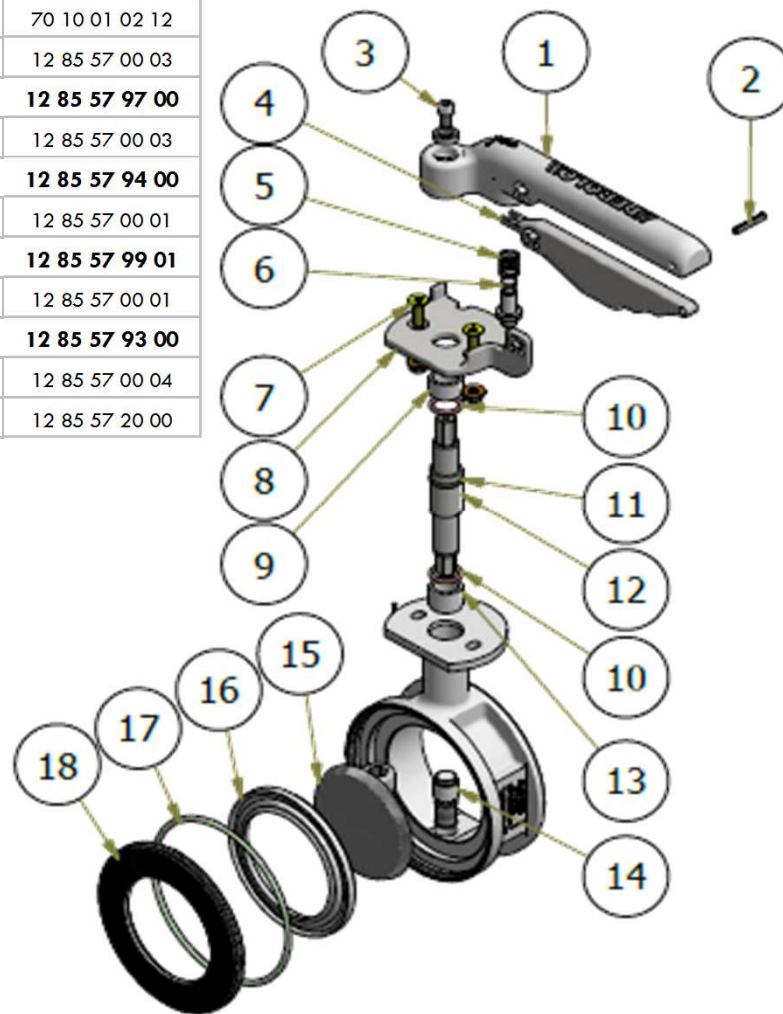


MAINTENANCE

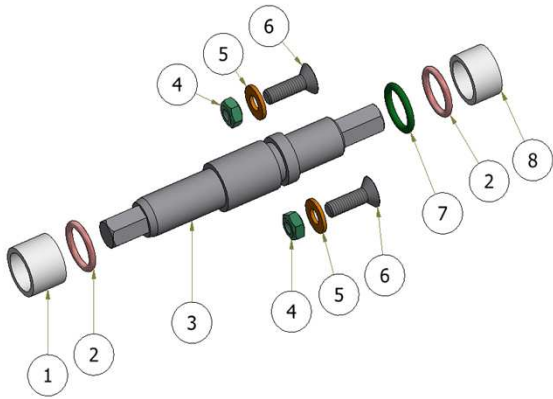
ITEM	QTY	DESIGNATION	PART N°
Handle kit: 11 12 62 95 00			
1	1	Handle, stainless steel	11 11 83 40 01
2	1	Split pin, stainless steel	-
3	1	Screw M6-12	-
	1	Washer	-
4	1	Handle lever, stainless steel	11 11 83 40 03
5	1	Handle Spring, stainless steel	-
7	1	Locking Pin, stainless steel	-
Spindle & Spindle Seals kit: 11 12 62 94 00			
6	2	Screws M6-20	-
	2	Washers	-
	2	Nuts	-
9&13	1	Spindle bush, PTFE & glass 25%	12 85 30 00 03
	1	Short spindle bush	11 12 62 00 01
10	2	O'ring, FEP & silicone	70 10 15 00 12
11	1	O'ring, FKM/Viton (Green)	70 10 01 02 12
12	1	Spindle, 1.4462	12 85 57 00 03
Spindle: 12 85 57 97 00			
12	1	Spindle, 1.4462	12 85 57 00 03
Closure plate seal kit: 12 85 57 94 00			
16	1	Closure plate seal, PTFE	12 85 57 00 01
Closure plate seal kit (10 pack): 12 85 57 99 01			
16	10	Closure plate seal, PTFE (10 pack)	12 85 57 00 01
Closure plate kit: 12 85 57 93 00			
14	1	Closure plate bush, PTFE & glass 25%	12 85 57 00 04
15	1	Closure plate, stainless steel	12 85 57 20 00

ITEM	QTY	DESIGNATION	PART N°
Clamping ring kit: 12 85 57 95 00			
17	1	O'Ring, nitril	70 10 03 07 05
18	1	Clamping ring, stainless steel	12 85 57 00 02
Spindle Seals kit: 11 12 62 91 00			
3	1	Screw M6-12,	-
11	1	O'ring, FKM/Viton (Green)	70 10 01 02 12
10	2	O'ring, FEP & silicone	70 10 15 00 12
6	2	Screws M6-20	-
	2	Washers	-
	2	Nuts	-
9&13	1	Spindle bush, PTFE & glass 25%	12 85 30 00 03
	1	Short spindle bush	11 12 62 00 01



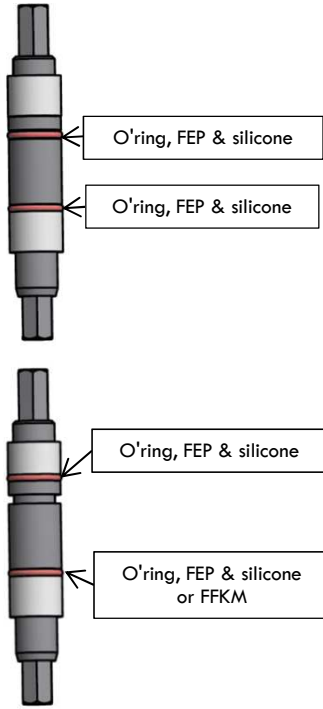
SPINDLE & SEALS KIT 1112629400 for TANKFLY™ butterfly valve Flanged & Clamped

ITEM	QTY	DESIGNATION	PART N°
Spindle & Spindle Seals kit:			11 12 62 94 00
6	2	Screws M6-20	-
5	2	Washers	-
4	2	Nuts	-
1	1	Spindle bush, PTFE & glass 25%	12 85 30 00 03
8	1	Short spindle bush	11 12 62 00 01
7	2	O'ring, FEP & silicone	70 10 15 00 12
2	1	O'ring, FKM/Viton (Green)	70 10 01 02 12
3	1	Spindle, 1.4462	12 85 57 00 03



Tankfly Spindle Seals assembly according PEROLO Serial Number

PREVIOUS ASSEMBLY

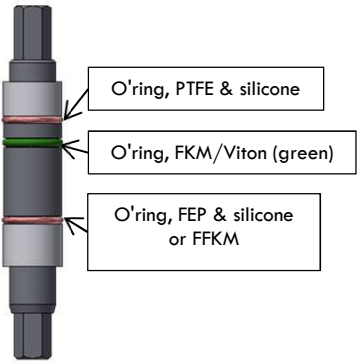


Serial Number	
From :	Until :
Beginning	0354 14

Serial Number	
From :	Until :
0010 15	0173 16
&	
R 0385 15	R 4676 16

11 12 62 94 00 can replace the 2 previous assemblies

CURRENT ASSEMBLY



Serial Number	
From :	Until :
0247 16	now
&	
R 4677 16	now