

INSTALLATION

CAUTION : Tankfly must be in closed position when the valve is fitted on the tank.

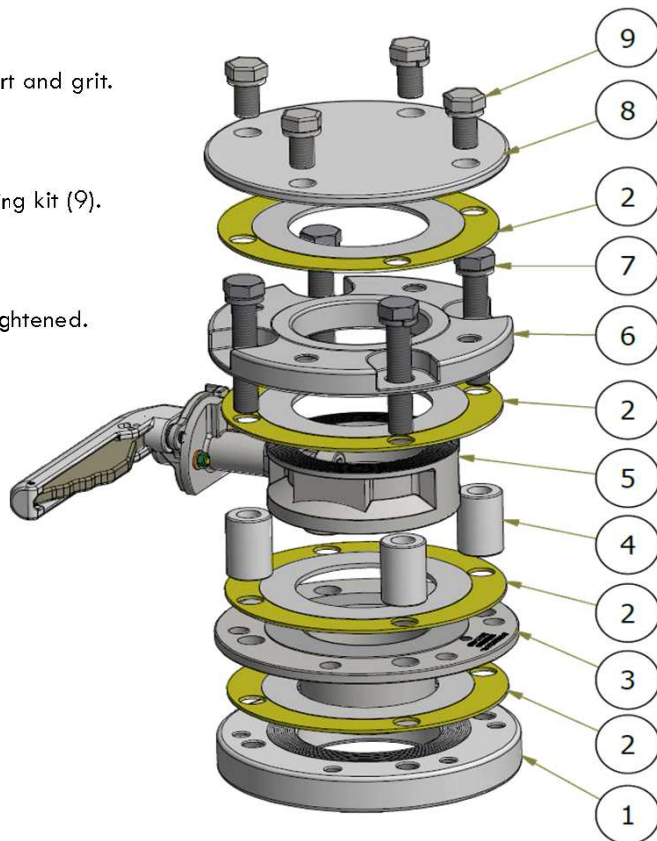
To assembly the 3" Tankfly clamped butterfly valve:

1. Ensure that the Inlet (tank side) flange is clean; free from dirt and grit.
2. Align drilling pattern of gaskets with that of tank pad.
3. Center the TANKFLY with weld in flange hole
4. Mount outlet gasket and blind flange and secure using bolting kit (9).

The required tightening torque is 70 N.m +/- 5

5. Refer to PWAGENE001 for bolt tightening sequence.

The valve flange should be in contact with tank flange when tightened.



ITEM	DESCRIPTION	SPECIFICATION	PART N°
8	Blind flange	Ext Ø 200mm, drilling 4 x 18 x 160 PCD, thickness: 13,5mm , 316L/1.4404	11 95 90 00 00
9	Screw kit M16-40	4 x M16-40 screws & 4 x grower washers, 304L/1.4301	11 10 09 91 00
6	Adaptor flange	Ext Ø 200mm, ND80, drillings: 4 x 18 x 160 PCD + 4 x M16 x 160PCD, thickness: 24mm, 316M/1.4408	12 91 41 00 03
7	Screw kit M16-90	4 x M16-90 screws & 4 x washers 316L/1.4404	12 85 57 00 24
4	Spacer	4 x spacers , plastic	12 85 57 91 00
5	3" TANKFLY clamped	316/1.4409	11 12 62 00 00 D
3	Syphon tube	Ext Ø 200 mm, Tube Ø 80 mm, Tube lenght 69mm, Drilling 6 x 14 x 168 PCD & 4 x 18 160 PCD, 316L/1.4404	12 92 18 10 00
2	Seal	Ext Ø 185mm, Int Ø 94mm, drilling 4 x 18 x 160 PCD thickness 2.5mm, CNAF/PTFE	12 91 40 00 00
1	Weld in flange	Int Ø 94mm, ext Ø 200mm, drillings: 6 x M12 x 168PCD & 4 x M16 x 160 PCD, thickness 27mm, 316L/1.4404	11 90 36 00 00

if a piping system linked to the tank is installed on the process side of the valve, we recommend to have a flexible hose in-between the valve and the piping system to avoid any additional stress on the fastening studs

Due to our policy of continuous product improvement, specifications may change without notice - Installation sheet PWA 11 12 62 30 00 D B

It is the customer's responsibility to check the compatibility between valves material and transported product.

PEROLO SAS, 69 Rue des Maçons, 33390 Blaye, FRANCE -Phone : + 33 (0)5 5742 67 00 - Email : sales@perolo.com

