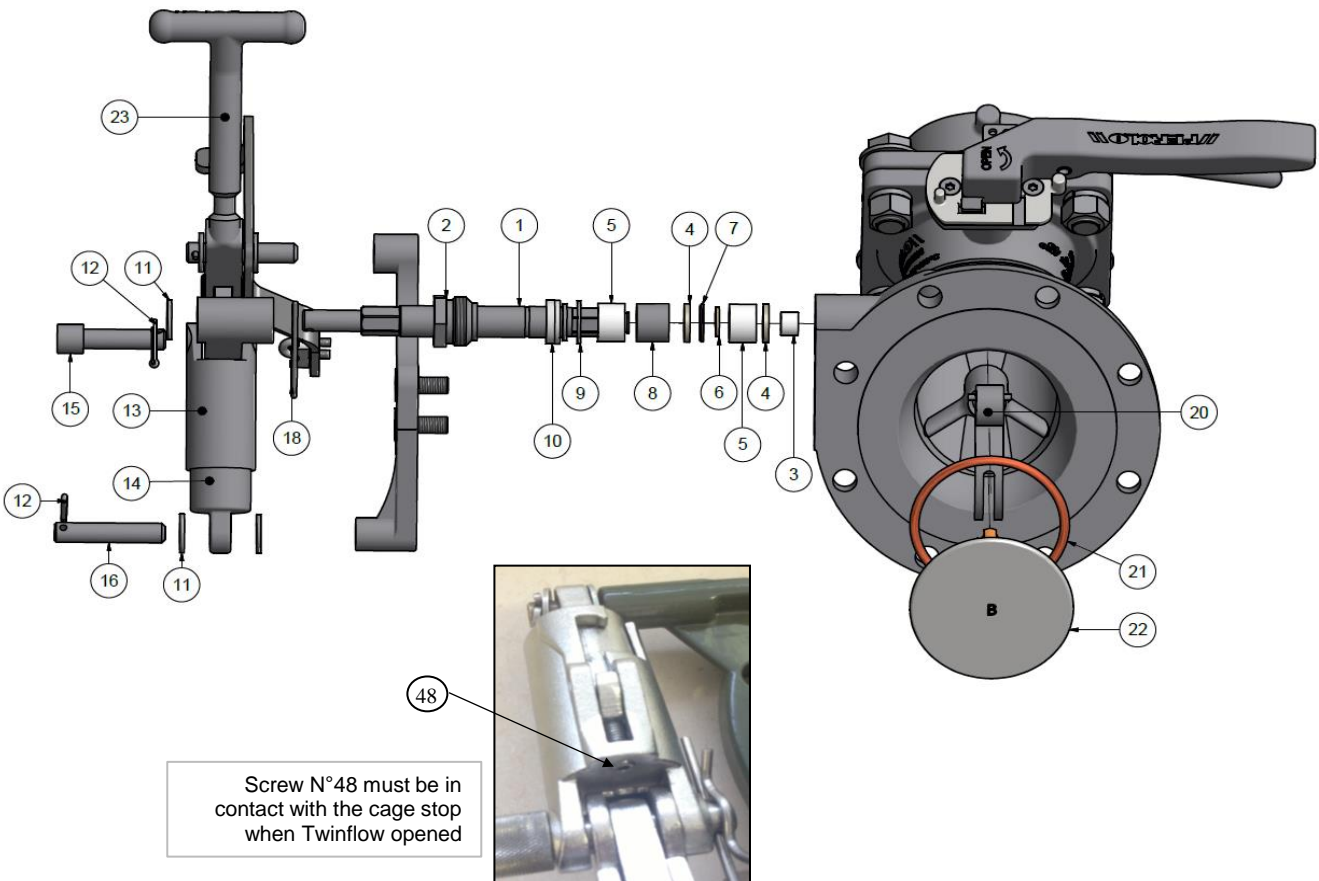


## 3" (ND80) TWINFLOW bottom discharge - VTFS3

### MAINTENANCE 1/2

Item	Qty	Designation	Part Number	
1	1	<b>Spindle</b> Spindle, 316L/1.4404	17 11 25 00 01	
3	1	<b>Spindle seals kit</b> Spindle bush, PTFE & glass 25%	11 11 24 95 00	
4	2	Elastic gasket, Ekonol / S.S.		
5	2	Spindle bush, PTFE & glass 25%		
6	1	Elastic ring, 316L/1.4404		
7	1	Stop ring, 316L/1.4404		
8	1	Spacer, 316L/1.4404		
9	1	Packing gland, PTFE		
10	3	Packing ring, 316L/1.4404		
11	1	Washer, S.S.		
12	1	V-pin, S.S.		
20	1	<b>Lift fork kit</b> Lift fork (C type), 316L/CF3M		11 16 25 92 00
21	1	<b>Poppet seal</b> O'ring, FEP/Silicon		11 11 24 91 00
21	1	<b>Poppet kit</b> O'ring, FEP/Silicon	11 16 25 93 00	
22	1	Poppet, 316L/1.4404		
20	1	<b>Poppet &amp; Lift Fork Kit</b> Lift fork (C type), 316L/CF3M	11 11 83 96 00	
21	1	O'ring, FEP/Silicon		
22	1	Poppet, 316L/1.4404		
48	1	HC screw in m6x16		

Item	Qty	Designation	Part Number
13	1	<b>Spring system kit</b> Female MK2 cage, 316/CF8M	11 11 70 96 00
14	1	Male MK2 casting, 316/CF8M	
15	1	Removable shaft, 316L/1.4404	
16	1	V-pin, S.S.	
11	2	Washer, S.S.	
12	1	Beta pin, S.S.	
17	1	Spring, S.S.	
18	1	Chain, 316L/1.4404	
19	1	M6-16 screw, 304/1.4301	
23	1	<b>Handle kit</b> Handle, 316L/1.4409	11 16 25 97 00
1	1	Connecting rod, 316/CF8M	
1	1	Spindle roller, 304L/1.4307	
2	1	Z12 washer, 316L/1.4404	
1	1	Split pin, 316L/1.4404	11 12 99 10 00
23	1	<b>L handle kit</b> L handle, 316L/1.4409	
1	1	Connecting rod, 316/CF8M	
1	1	Spindle roller, 304L/1.4307	
2	1	Z12 washer, 316L/1.4404	
1	1	Split pin, 316L/1.4404	



## 3" (ND80) TWINFLOW bottom discharge - VTFS3

### MAINTENANCE 2/2

Item	Qty	Designation	Part Number
24	1	<b>Closure plate kit</b> Closure plate	<b>12 85 57 93 00</b>
25	1	Closure plate bush, PTFE & glass 25%	
26	1	<b>Closure plate seal</b> Closure plate seal	<b>12 85 57 94 00</b>
27	1	<b>Butterfly valve Spindle</b> Spindle	<b>11 12 10 91 00</b>
<b>Butterfly valve Spindle seals kit</b>			
25	1	Closure plate bush, PTFE & glass 25%	<b>17 12 01 91 00</b>
28	1	Screw M6-16, 304/1.4301	
29	1	Ring washer, 304/1.4301	
30	2	Screws M6-20, 304/1.4301	
31	2	Nuts, 316/1.4401	
32	2	Washers, 304/1.4301	
33	2	Spindle bush, PTFE & glass 25%	
34	1	O'rings, PTFE & silicon OR Viton	
35	1	O'rings, PTFE & silicon OR Viton	

Item	Qty	Designation	Part Number
<b>Butterfly valve handle kit</b>			
28	1	M6-16 screw, 304/1.4301	<b>11 11 83 91 00</b>
29	1	Washer, 304L/1.4307	
36	1	Handle lever, 316/1.4401	
37	1	M6-10 screw, 304/1.4301	
38	1	Plane spring, 304/1.4301	
39	1	Handle, 316L/1.4404	
40	1	Split pin, 304/1.4301	
<b>Outlet nozzle square kit</b>			
26	1	Closure plate seal, PTFE	<b>11 11 83 93 00</b>
	2	Washer, 316L/1.4404	
	1	Chain, 304L/1.4307	
41	1	Cap seal, PTFE	
42	1	Cap, 316/1.4408	
43	1	Outlet nozzle square, 316/1.4401	
<b>Outlet nozzle bolting kit</b>			
44	4	M16 bolt,	<b>17 12 10 95 00</b>
45	4	M16 washer,	
46	4	W16 grower washer	
47	4	Nut,	
<b>Remote control</b>			
	1	Remote control lever	<b>11 11 98 90 00</b>
	1	Rope clamp	
	1	Spring	

