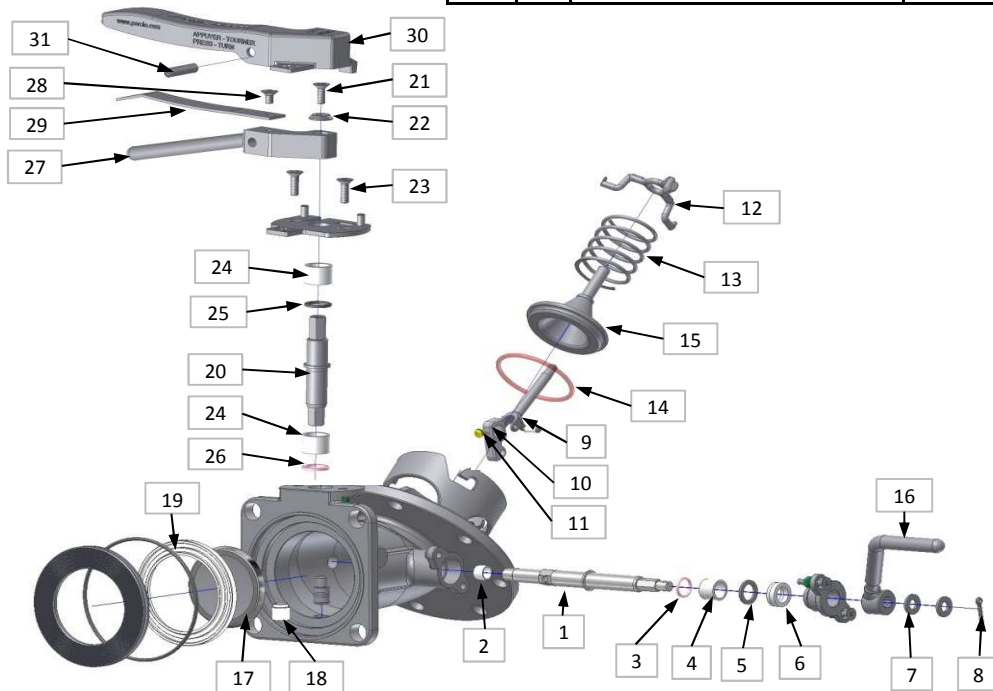


3" (ND80) TWINCO footvalve - TCS3

MAINTENANCE

Item	Qty	Designation	Part Number
1	1	Spindle kit Spindle, 316L/1.4404	11 11 14 00 05
2	1	Spindle seals kit Spindle bush, PTFE	12 85 38 91 00
3	1	O'ring, FEP/Silicon	
4	1	Spindle bush, PTFE & glass 25%	
5	1	Packing ring, 316L/1.4404	
6	1	Packing gland, PTFE	
7	2	Washer, 304/1.4301	
8	1	Split pin, 316L/1.4404	
9	1	Pushrod kit Crank & pushrod, 316L/1.4404	
10	1	M6-8 screw, 304/1.4301	11 11 14 00 02
11	1	M6 washer, 316L/1.4404	
12	1	Bayonet cap Bayonet cap, 316L/1.4404	
13	1	Spring Spring, 304L/1.4307	12 85 38 00 02
14	1	Poppet seal O'ring, FEP/Silicon	11 11 24 91 00
15	1	Poppet kit Poppet, 316L/1.4404	1111149700MK2
14	1	O'ring, FEP/Silicon	
16	1	Handle kit Handle, 316L	12 85 24 93 00
8	1	Split pin	
7	1	Washer	
1	1	Remote control kit Kick to close	11 11 82 91 00
1	1	Arresting bracket	
1	1	Spring	
1	1	M5-15 screw	
1	1	Nut	
1	1	Washer	

Item	Qty	Designation	Part Number
17	1	Closure plate kit Closure plate	12 85 57 93 00
18	1	Closure plate bush, PTFE & glass	
19	1	Closure plate seal Closure plate seal	12 85 57 94 00
20	1	Butterfly valve Spindle Spindle	11 12 10 91 00
21	1	Butterfly valve Spindle seals kit Screw M6-16, 304/1.4301	17 12 01 91 00
22	1	Ring washer, 304/1.4301	
23	2	Screws M6-20, 304/1.4301	
2	2	Nuts, 316/1.4401	
2	2	Washers, 304/1.4301	
24	2	Spindle bush, PTFE & glass 25%	
25	1	O'rings, PTFE & silicon	
26	1	O'rings, PTFE & silicon	
18	1	Closure plate bush, PTFE & glass 25%	
27	1	Butterfly valve handle kit Handle lever, 316/1.4401	11 11 83 91 00
21	1	M6-16 screw, 304/1.4301	
22	1	Washer, 304L/1.4307	
28	1	M6-10 screw, 304/1.4301	
29	1	Plane spring, 304/1.4301	
30	1	Handle, 316L/1.4404	
31	1	Split pin, 304/1.4301	
	1	Outlet nozzle 3" Outlet nozzle, 316/1.4401	12 85 69 00 00
	1	Outlet nozzle seal Square seal, PTFE	12 91 42 00 00
	5	Outlet nozzle seal kit Square seal, PTFE	12 91 42 00 00
	4	Outlet nozzle screw kit Screw	12 85 84 91 00
	4	Washer	
	4	Nut	
	4	Washer	



Maintenance sheet PWA 11 11 73 40 01 D - ND80 Twinco footvalve

Due to our policy of continuous product improvement, specifications may change without notice.