

MAINTENANCE

VALVE INSTALLED ON THE TANK

1. Check the tank pressure is lower than the service pressure.
2. Go to the area where the valve is installed.
3. Check no leak exists between the poppet seal and the seat, this check can be done with leakage detection fluid. If a leak exists, follow next points to dismantle the relief valve for further maintenance.

REMOVE THE VALVE FROM THE TANK

This operation is done to change the valve for further check

1. Before any operation, check there is no pressure in the tank.
2. Unscrew the screws that hold the MEGA-SUPERVENTIX to the tank pad, remove the valve and the disc.
3. Plug the hole in the flange with a blind cap to protect the tank from dust.

Further valve disassembly should be done in a workshop.

RELIEF VALVE DISASSEMBLY

We recommend this operation every two years.

CAUTION: the springs load is between 100 daN en 400 daN, when cap is removed the springs can violently be ejected.

We recommend to safely disassemble the cap and slowly relief the spring set load.

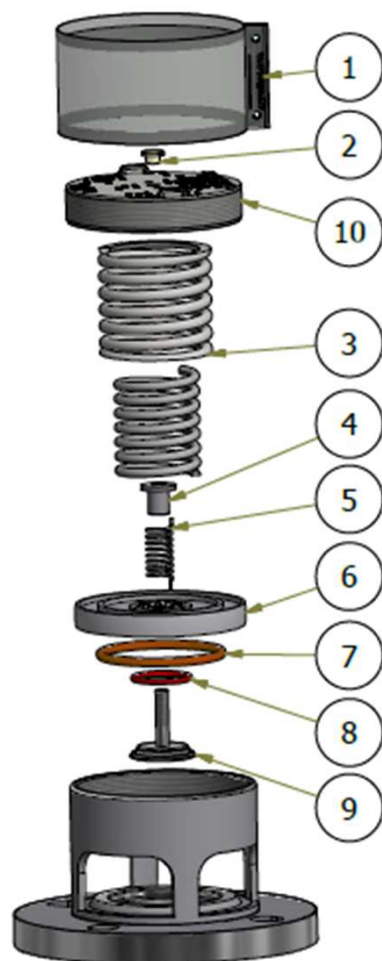
1. Remove carefully the cap (10) considering the above caution.
2. Remove springs set (3) and pressure plate (6).
3. Remove pressure and vacuum seals (7) & (8)
4. Install a set of new seals
5. Reassemble the valve.

SET PRESSURE RIGGING

The valve is installed on a test rig. The pressure is measured with a manometer precision class 0,5. The leakage is detected with leak test fluid at pressure seal interface.

1. Slowly increase the pressure. **When first bubbles appear at pressure plate seal, note the pressure.**
 2. Adjust the cap (screw/unscrew) to get the set pressure.
- If set pressure can not be achieved easily, we recommended to change the spring set (3) (see page 3 for item references).
3. When setting complete, seal the cap with a stainless steel wire spot welded between cap and body.

The relief valve is ready to operate on the tank.



BODY MARKING (For MX65S/P & MP65S/P)

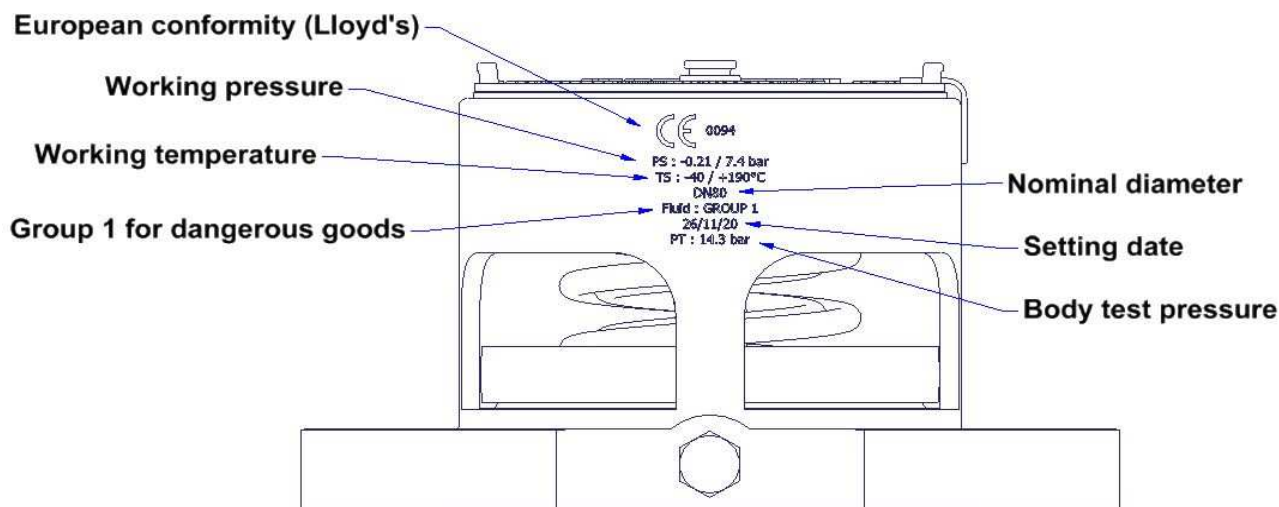


- 1) Setting Pressure (Bar)
- 2) Setting Pressure (Psi)
- 3) Full Flow (SCFM)
- 4) Full Flow (Sm³/S)
- 5) Full Flow Pressure (Psi)
- 6) Full Flow Pressure (Bar)
- 7) Certified Flow 90% (SCFM)
- 8) Certified Flow 90% (Psi)
- 9) Vacuum (Bar)
- 10) Vacuum ("Hg)
- 11) Serial number
- 12) P/N (MX65S/P or MP65S/P)
- 13) Nominal diameter (ND65)
- 14) Pressure tolerance (Bar)
- 15) Flow section (mm²)
- 16) Standard : ISO 4126-1
- 17) "G" indication for gaz



PED ADDITIONNAL BODY MARKING (For MP65S/P Only)

Body marking is only made on PED approved safety relief valve (when reference starts with MP)



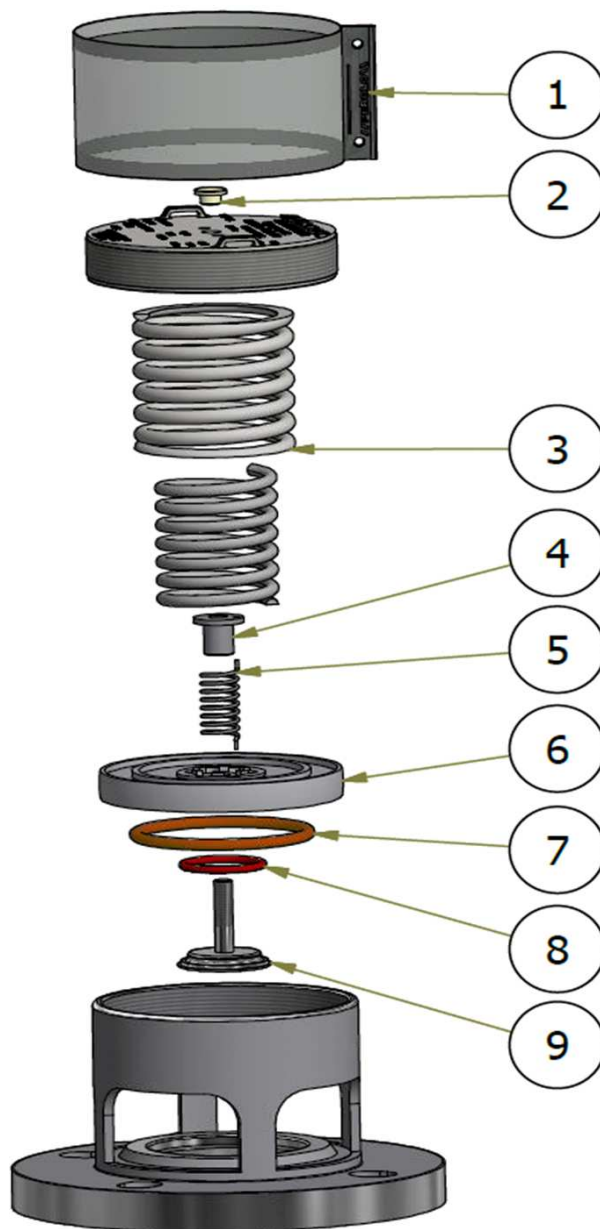
SAFETY RELIEF VALVE

2 1/2" (ND65) SAFETY RELIEF VALVE

DN65 FLANGED MEGA SUPERVENTIX MX65S/P & MP65S/P(PED)

ITEM	QTY	DESIGNATION	PART N°
Pressure & Vacuum O'ring:			
7	1	Pressure O'ring (FEP/Silicone)	11 10 01 99 05
7	10	Pressure O'ring (FEP/Silicone)	11 10 01 99 06
7, 8	1	Pres. & Vac. O'ring (FEP/Si)	11 10 01 91 00
8	10	Vacuum O'ring (FEP/Silicone)	11 10 17 99 00
Spring sets:			
3	1	Spring set pressure 2.18 Bar	11 10 01 95 00
3	1	Spring set pressure 3.30 Bar	12 12 84 90 00
3	1	Spring set pressure 3.75 Bar	11 10 01 96 00
3	1	Spring set pressure 4.40 Bar	11 10 01 97 00
5	1	Spring set vacuum 0.21 bar	11 10 01 98 00
Plates, Gauze & Cap:			
6	1	Pressure plate for pressure only	11 10 01 99 01
6	1	Pressure plate, pressure/vacuum	11 10 01 99 00
9	1	Vacuum poppet	11 10 01 99 02
2, 4, 5, 6, 7, 8, 9	1	Vacuum set kit (plug, adjustment nut, pressure plate, o'rings, spring set and vacuum poppet)	11 10 01 99 08
4	1	Adjustement nut	11 10 02 99 06
1	1	Flame proof gauze kit	11 10 01 94 00
2	1	Plug (LDPE)	70 14 06 90 15

DESIGNATION	SPECIFICATIONS	PART N°
Weld-in flange	Ext Ø 190mm, int Ø 82mm thickness 26 mm drilling 4 x M16 x 145 PCD 316L stainless steel	1292030000
Recess flange	Ext Ø 217mm, int Ø 82,6mm min thick. 31 mm max th. 65 mm 4 x M16 x 145 PCD 316L stainless steel	1190630000
Screw kit	4 x M16-40 screws 4 x grower washers	1110099100
Bursting disc	4.84 Bar	DRS80P484T20
Setting gasket	CNAF/PTFE Ø176mm Ø82mm Round, flat, drilling 4 x 18 x 145 PCD	1292040000
Gauge (0-6 bar) bottom entry 1/4"BSP	Full stainless steel	7018060095
	Stainless steel case brass internals & connection	7021020022



SAFETY RELIEF VALVE