

2 1/2" (ND65) SAFETY RELIEF VALVE

DN65 FLANGED MEGA SUPERVENTIX MX65S/P & MP65S/P(PED)



2 1/2" MEGA SUPERVENTIX™ flanged safety relief valve - designed to protect tanks against accidental overpressure or excessive vacuum. With a smart compact design, the 2 1/2" MEGA SUPERVENTIX™ has a high flow performance.

SPECIFICATION	
Nominal diameter	65 mm (2 1/2")
Weight	5 kg
Connection	4 slotted holes x Ø18 on a 145 to 152.4 PCD
Pressure settings	From 0.5 to 7.4 Bar
Vacuum settings	From 50 to 410 mBar
Working Temperature	-40° to +190°C (HT +220°C)

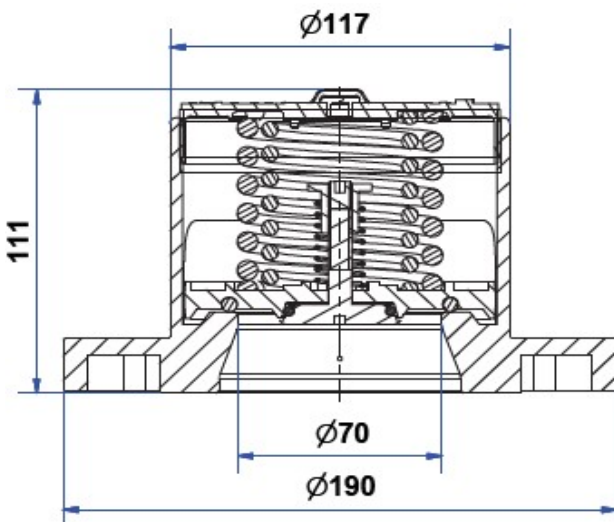
*Temperature range may vary according to the seal material

CONFORMITY & CERTIFICATION	
Complies with ADR / IMDG / RID / ISO 4126-1	
Notified Body : Lloyd's Register Verification - RMR	
PED (for MP65)	
PED 2014/68/EU - Category IV - Module H1 - Fluid gr.1	
STANDARD FEATURES (See Codification for option)	
Made of (material)	316 / 1.4408 stainless steel
Setting Gasket	PTFE
O'rings material	FEP silicone - others on request

ACCESSORIES	
Weld-in flange	12 92 03 00 00
Recess flange	11 90 63 00 00
Seal	12 92 04 00 00
Screw kit	11 10 09 91 00
Stud kit	17 12 12 91 00
Pressure gauge	70 18 06 00 95

It is the responsibility of the user to ensure that the fluids in contact with the equipment are compatible with the materials listed in the product sheet

DIMENSIONAL DRAWING



Set pressure			Measured flow rate at 120% without gauze		Certified flow rate with the federal register coefficient 90% without gauze	
Bar	kPa	PSIG	Sm ³ /S	Scfm	Sm ³ /S	Scfm
Max (±3% SP; 0,1B/1,45PSI)						
2,18	218	31,6	2,56	5425	2,30	4883
3,75	375	54,4	3,92	8306	3,53	7475
4,4	440	63,8	4,48	9492	4,03	8543
7,3	730	105,9	6,99	14810	6,29	13329

Flow measurement conditions: 101.3 kPa at 15°C

Flow reduction with gauze <12%

2 1/2" (ND65) SAFETY RELIEF VALVE

DN65 FLANGED MEGA SUPERVENTIX

MX65S/P & MP65S/P(PED)

CODIFICATION

STANDARD PART NUMBER

MX65/MP65 P 44 T 21 G . . .

YOUR PART NUMBER

MX65/MP65 .

BODY DRILLING - Other on request

4 slots x Ø18 x 145-152.4 PCD with 1/4" BSP connection	S
4 slots x Ø18 x 145-152.4 PCD with 1/4" BSP connection and plug	P

PRESSURE SETTING - Other on request

No pressure	00
**. bar (ex: 4.4bar)	44

O'RING MATERIAL

FEP/Silicone	T
PFA (High Temp 220°C WT at 4,4b)	H

VACUUM SETTING - Other on request

No Vacuum	.
0.** bar (ex: 0.21 bar)	21

FLAME PROOF GAUZE

With	G
Without	S

VACUUM TEST BUTTON

With	B
Without	.

HALAR COATING

Without	.
---------	---

For coating options please see high corrosion catalogue

GAUGE PROTECTION

With	P
Without	.



SAFETY RELIEF VALVE