

## 2" Clamped TANKFLY™

ND50 Butterfly Valve  
TP5X



The 2" TANKFLY™ MKII clamped butterfly valve is designed to be used between flanges as an air inlet/outlet valve - one part closure plate seal - light - 1/4" BSP gauge connection.

### SPECIFICATION

Nominal diameter	50mm (2")
Weight	1.1 Kg
Inlet Connection	Clamped between DIN or ANSI Flange
Outlet Connection	
Working Pressure	7 Bar
Test Pressure	10.5 Bar
Working Temperature	- 40° to +150°C
Design Temperature	- 40° to +190°C

Temperature range vary according to the seal material

### CONFORMITY, CERTIFICATION & APPROVAL

Complies with ADR / IMDG / RID / EN14432

Approved by Bureau Veritas

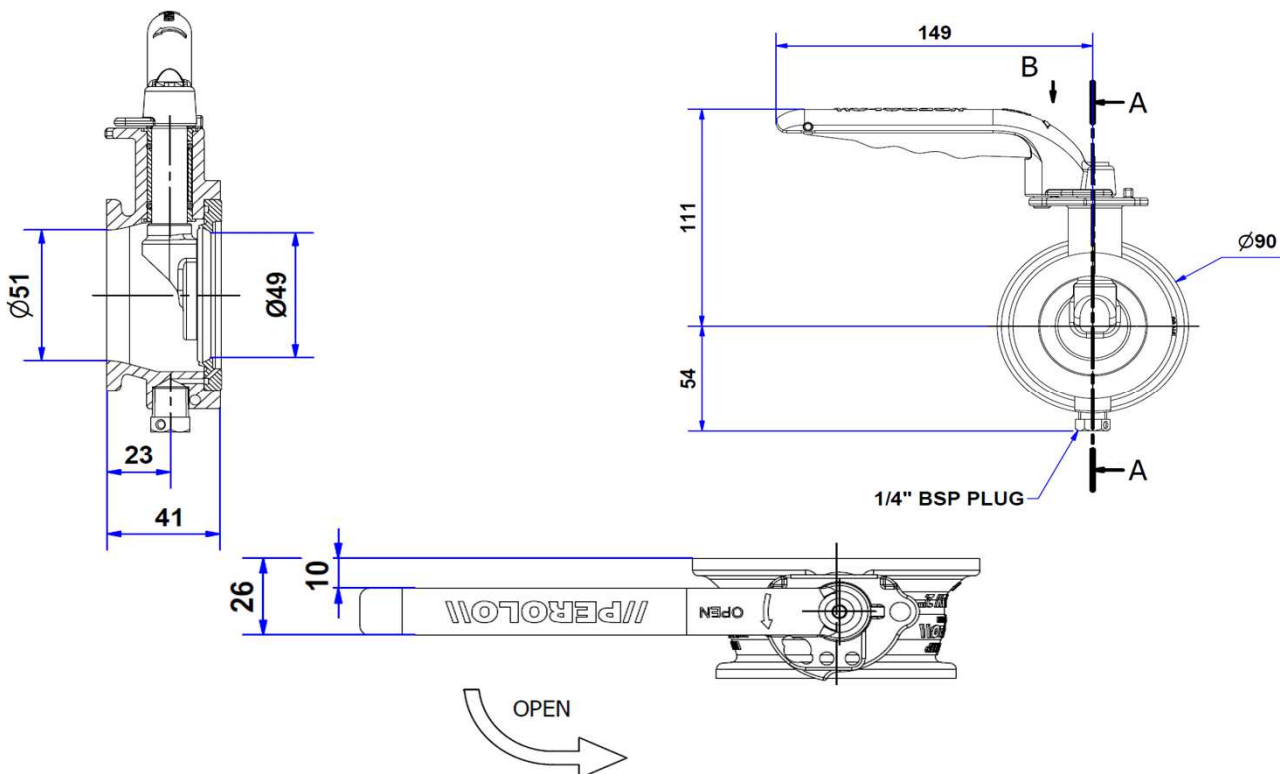
### STANDARD FEATURES (See Codification for option)

Made of (material)	316L / 1.4409 stainless steel
Compact Design	Face To Face 41 mm
Operation	Handle - 1/4 Turn lockable
Butterfly seal material	PTFE

### ACCESSORIES

Weld-in flange	11 92 51 00 00
2" BSP nozzle + Cap	11 17 15 20 00
Pressure gauge	70 18 06 00 95

### DIMENSIONAL DRAWING



CODIFICATION

STANDARD PART NUMBER

TP5 X 7 T 1 1 .

YOUR PART NUMBER

TP5 7 T 1

MATERIAL - Other on request

316L / 1.4409 stainless steel

X

MAWP

7 Bar

7

WORKING TEMPERATURE

Butterfly seal PTFE +150°C

T

GAUGE PLUG

With

1

GAUGE PROTECTION

Without

1

With

2

OPERATING SYSTEM

Standard Handle

.

Pneumatic Actuator

P

