



The 2" TANKFLY™ MKII flanged butterfly valve is designed to be used as a fluid inlet/outlet valve. With a super compact design, the 2" TANKFLY™ is light and economic.

SPECIFICATION	
Nominal diameter	50mm (2")
Weight	3.0 Kg
Inlet Connection	4 holes x Ø18 x 125 PCD
Outlet Connection	4 holes slotted x Ø18 x min 114 PCD
Working Pressure	7 Bar
Test Pressure	10.5 Bar
Working Temperature	- 40° to +150°C
Design Temperature	- 40° to +190°C

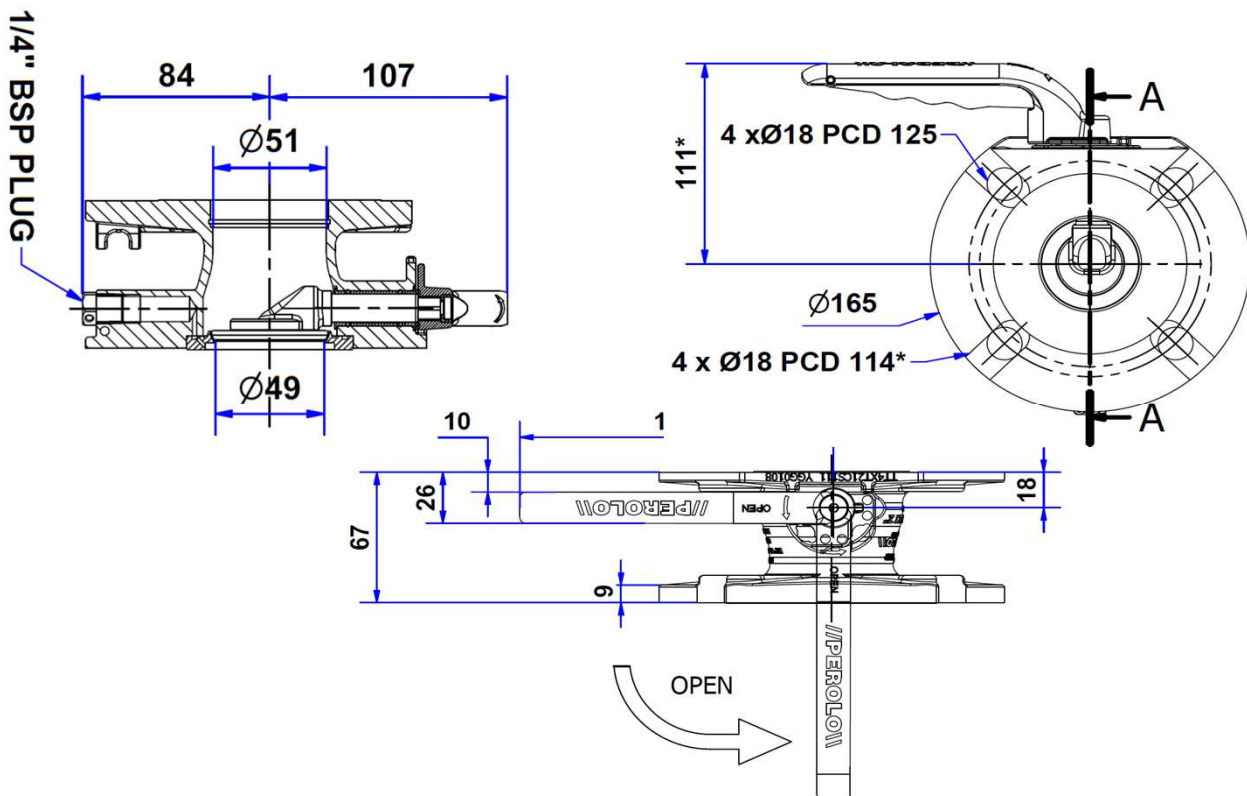
Temperature range vary according to the seal material

CONFORMITY, CERTIFICATION & APPROVAL	
Complies with ADR / IMDG / RID / EN14432	
Approved by Bureau Veritas - RMR	

STANDARD FEATURES (See Codification for option)	
Made of (material)	316L / 1.4409 stainless steel
Compact Design	Face to face 67 mm
Operation	Handle - 1/4 Turn or Remote Control
Butterfly seal material	PTFE

ACCESSORIES	
Weld-in flange	11 90 25 00 00
Recess flange	11 92 44 00 00
Blind flange	11 95 88 00 00
Bolting Kit	11 91 13 91 00
Gasket	11 90 29 00 00
Filter	11 12 03 94 00
Remote control	RMT53
Remote control handle	11 17 20 11 00
Pressure gauge	70 18 06 00 95

DIMENSIONAL DRAWING



CODIFICATION

STANDARD PART NUMBER	TF5	X	7	T	1	1	S	1	1	.
YOUR PART NUMBER	TF5	X	7	T	1				1	
MATERIAL - Other on request										
316L / 1.4409 stainless steel	X									
MAWP										
7 Bar	7									
WORKING TEMPERATURE										
Butterfly seal PTFE +150°C	T									
INLET FLANGE										
4 X Ø18 x 125 PCD	1									
OUTLET FLANGE										
4 x open slots Ø18 x 114 PCD	1									
4 x M16 x 125 PCD	2									
4 x Ø18 x 125 PCD	3									
FILTER										
Without	S									
With	P									
GAUGE CONNECTION & PLUG										
with 1/4" BSP connection & plug	1									
GAUGE PROTECTION										
Without	1									
With	2									
OPERATING SYSTEM										
Standard Handle	.									
Pneumatic Actuator	P									
With Remote Control Handle	W									

