

The 2" TANKFLY™ MKII threaded butterfly valve is designed to be used as a fluid inlet/outlet valve or air inlet valve. With a super compact design, the 2" TANKFLY™ is light and economic.



SPECIFICATION	
Nominal diameter	50mm (2")
Weight	1.4 Kg
Inlet Connection	4 slotted holes x $\varnothing 11$ x 100 to 103.5 PCD
Outlet Connection	2" BSP
Working Pressure	7 Bar
Test Pressure	10.5 Bar
Working Temperature	- 40° to +150°C
Design Temperature	- 40° to +190°C

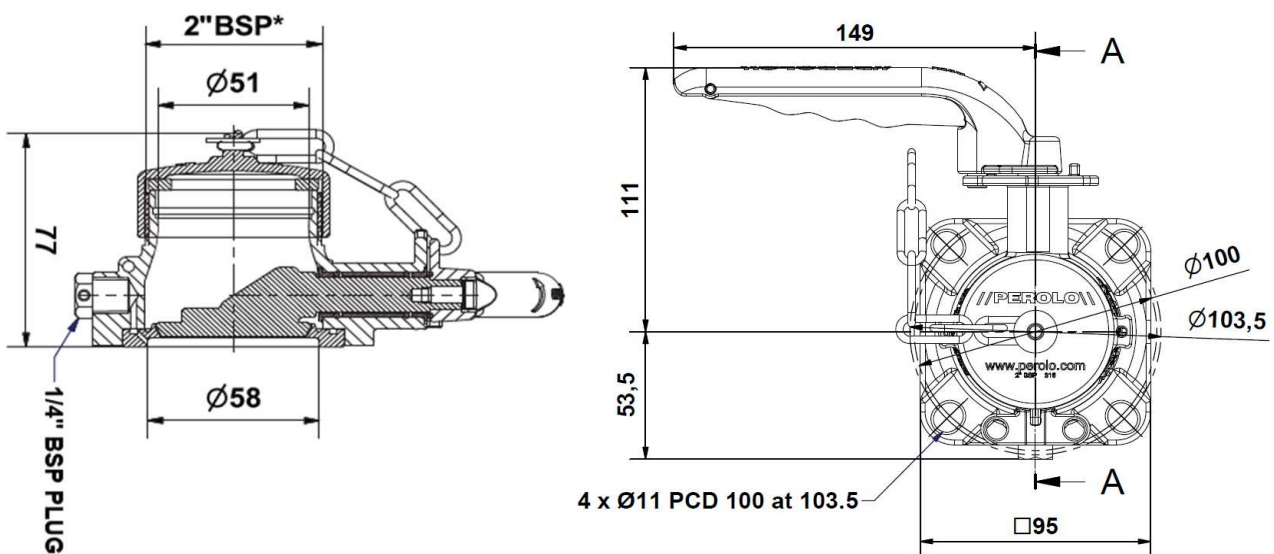
Temperature range vary according to the seal material

CONFORMITY, CERTIFICATION & APPROVAL	
Complies with ADR / IMDG / RID / EN14432	
Approved by Bureau Veritas	

STANDARD FEATURES (See Codification for option)	
Made of (material)	316L / 1.4409 stainless steel
Compact Design	Face to face 77 mm with Cap
Operation	Handle - 1/4 Turn or Remote Control
Butterfly seal material	PTFE

ACCESSORIES	
Weld-in flange	11 90 20 00 00
Screw kit	12 91 99 00 00
Filter kit	11 12 03 94 00
Remote control	RMT53 (3 meters)
Remote control handle	11 17 20 11 00
Pressure gauge	70 18 06 00 95
1 1/2" BSP Cap	11 17 11 20 00

DIMENSIONAL DRAWING



CODIFICATION

STANDARD PART NUMBER

TT5 X 7 T 1 C S 1 1 .

YOUR PART NUMBER

TT5 7

MATERIAL - Other on request

316L / 1.4409 stainless steel

X

MAWP

7 Bar

7

WORKING TEMPERATURE

Butterfly seal PTFE +150°C

T

INLET CONNECTION

4 x Slots Ø11 x 100-103.5 PCD

1

OUTLET CONNECTION & CAP

BSP without Cap

1

BSP with Standard Cap

C

BSP with Reinforced Cap

K

BSP with Camlock cap

Q

FILTER

Without

S

With

P

GAUGE CONNECTION & PLUG

with 1/4" BSP connection & plug

1

GAUGE PROTECTION

Without

1

With

2

OPERATING SYSTEM

Standard Handle

.

Pneumatic Actuator

P

With Remote Control Handle

W

