

The Perolo ND50/80 ATCO™ FULL BORE self-contained ball valve is designed to be used as a fluid inlet/outlet valve. A perfect solution to fit a 2" ball valve onto a 3" existing flange



SPECIFICATION	
Nominal diameter	50mm (2")
Weight	6.85 Kg
Inlet flange drilling	4 x Ø18 x 160PCD & 6 x Ø14 x 168 PCD*
Outlet flange drilling	4 holes x M16 x 125 PCD*
Working Pressure	16 Bar / 4 bar for HT°
Test Pressure	24 Bar / 6 bar for HT°
Working Temperature	STD:-40°C to +150°C/HT°:-40°C to +250°C
Design Temperature	190°C / 250°C for HT°

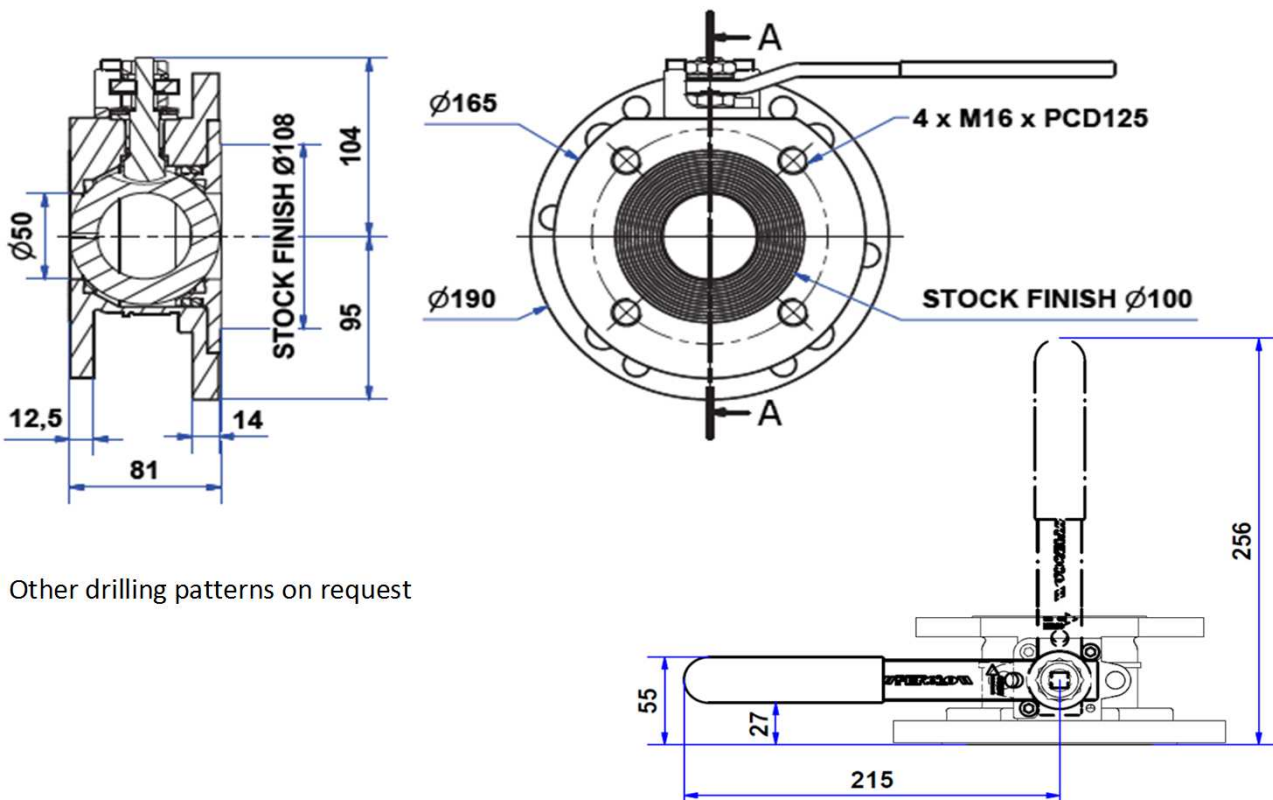
NB: temperature range vary according to o'ring material

ACCESSORIES	
Weld-in flange	11 90 36 00 00
Recess flange	11 90 98 00 00
Blind flange	11 95 88 00 00
Bolting Kit	17 12 12 91 00
Outlet gasket	11 90 29 00 00
Inlet gasket	12 91 40 00 00
Remote Control	RMT 53
Stud kit	11 12 82 93 00

CONFORMITY, CERTIFICATION & APPROVAL
Complies with ADR / IMDG / RID / EN14432
Approved by Bureau Veritas, A-C-I

STANDARD FEATURES (See Codification for option)	
Made of (material)	316L / 1.4409 stainless steel
Compact design	Face to face 81 mm
Operation	Handle 1/4 Turn or Remote Control
Ball gaskets material	PTFE or PTFE/Graphite for HT°

DIMENSIONAL DRAWING



* Other drilling patterns on request

CODIFICATION

STANDARD PART NUMBER

AHN5	X	16T	1	2	0	0	S	0	0	.
------	---	-----	---	---	---	---	---	---	---	---

YOUR PART NUMBER

AHN5	X						S		0	
------	---	--	--	--	--	--	---	--	---	--

MATERIAL - Other on request

316L / 1.4409 stainless steel	X
-------------------------------	---

SEAT MATERIAL & MAWP

Standard PTFE seal 16 Bar	16T
---------------------------	-----

HT 250°C PTFE/Graphite seal 4 Bar	4H
-----------------------------------	----

INLET FLANGE - other on request

4xØ18x160PCD & 6xØ14x168PCD	1
-----------------------------	---

OUTLET FLANGE - other on request

4 x Ø17 x 125 PCD	1
-------------------	---

4 x M16 x 125 PCD	2
-------------------	---

4 slotted x Ø18 x min 114 PCD	3
-------------------------------	---

GAUGE CONNECTION

Without	0
---------	---

1/4" NPT gauge connection & drilled ball	1
--	---

1/4" BSP gauge connection & drilled ball	2
--	---

With drilled ball only (H2O2)	3
-------------------------------	---

GAUGE PROTECTION

Without	0
---------	---

With	1
------	---

SEALING

With	S
------	---

STEAM HEATING

Without	0
---------	---

With	S
------	---

HALAR COATING

Without	0
---------	---

For coated option, please refer to HIGH CORROSION Catalogue sheet

HANDLE

Standard handle	.
-----------------	---

Reverse handle	L
----------------	---

