

### MAINTENANCE

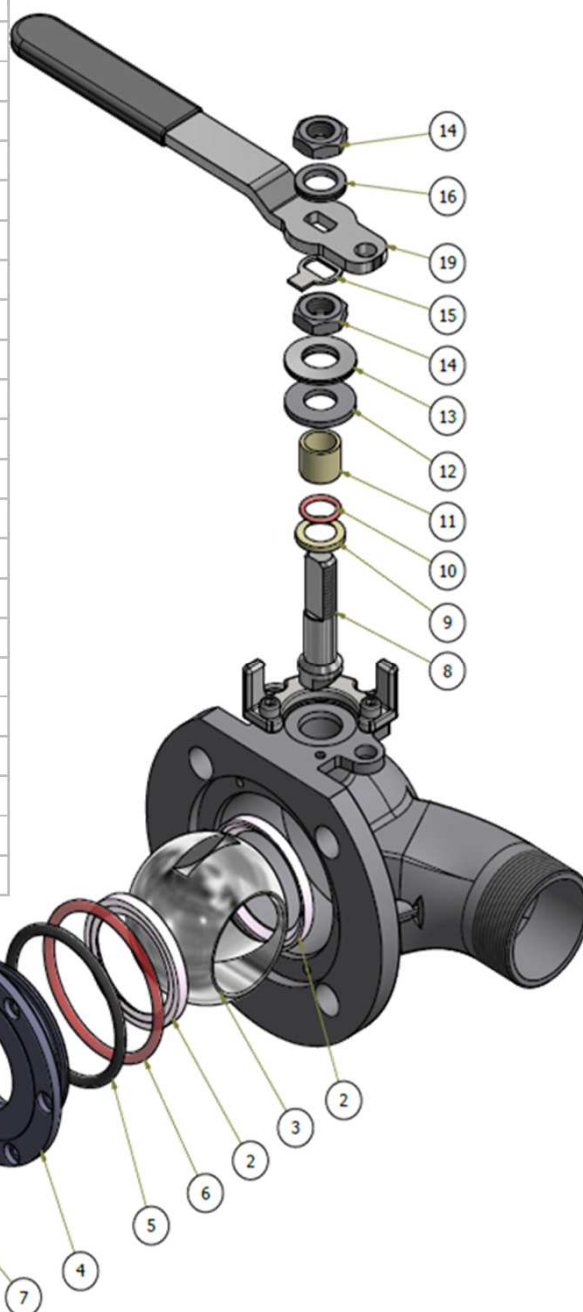
ITEM	QTY	DESIGNATION	PART N°
<b>Ball seals kit: 11 12 42 92 00</b>			
2	2	Ball seals (PTFE)	11 12 39 00 09
6	1	O'ring (FEP encapsulated)	70 10 15 00 10
5	1	O'ring (Viton)	70 10 01 02 39
<b>Ball kit:</b>			
3	1	Ball (stainless steel)	11 14 59 00 11
<b>Spindle kit:</b>			
8	1	Spindle (stainless steel)	11 12 39 00 16
<b>Spindle seals kit: 11 12 42 93 00</b>			
11	1	Bearing bush (PTFE)	11 12 39 00 14
10	1	O'ring (FEP encapsulated)	70 10 15 00 12
9	1	Spindle seal (PTFE)	11 12 39 00 21
<b>Washers: 11 12 42 93 00</b>			
12	1	Washer (stainless steel)	70 13 25 37 15
13	2	Elastic washer (stainless steel)	70 13 26 37 08
<b>Handle kit: 11 14 16 92 00</b>			
19	1	Handle	11 12 39 00 22
	1	Handle cap, nitrile	-
14	2	Nuts (stainless steel)	-
15	1	Stop washer (stainless steel)	-
16	1	Washer (stainless steel)	-
<b>Remote control lever kit: 11 14 75 91 00</b>			
19	1	Remote control lever (stainless steel)	11 14 70 00 01
14	2	Nuts (stainless steel)	-
15	1	Stop washer (stainless steel)	-
16	1	Washer (stainless steel)	-
<b>Clamping ring kit: 11 12 69 93 00</b>			
4	1	Clamping ring (stainless steel)	-
7	6	Screws M6 (stainless st.)	-
<b>Tools kit: 11 12 69 94 00</b>			
A	1	Spindle assembly tool	11 12 69 92 01
B	1	O'ring assembly tool	11 12 69 92 02

Nb: Perolo recommends

- the spindle seals should be changed simultaneously to maintain the ball valve spindle perfectly tight.

- both ball gaskets should be changed simultaneously

- when clamping ring is changed we recommend to also order ball seals kit



A



B



**tightening torque 10 N.m. +/-5**