

2" ATCO 90° ALN5X or AKN5X

ND50 BALL VALVE

ALN5X or AKN5X



The Perolo 2" 90° angled ATCO™ FULL BORE self-contained ball valve is designed to be used as a fluid inlet/outlet valve and offers 2" or 3" inlet flange.

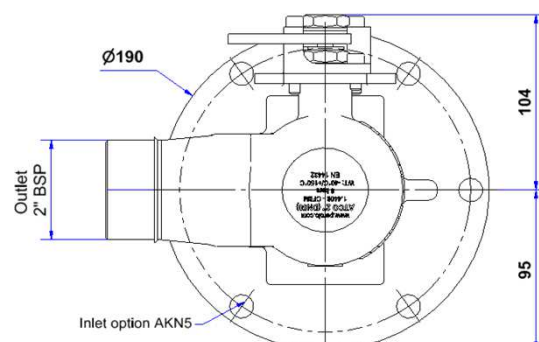
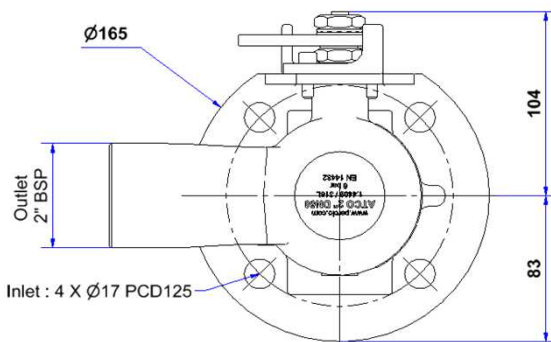
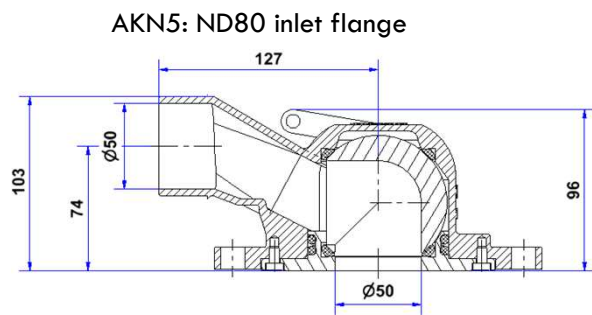
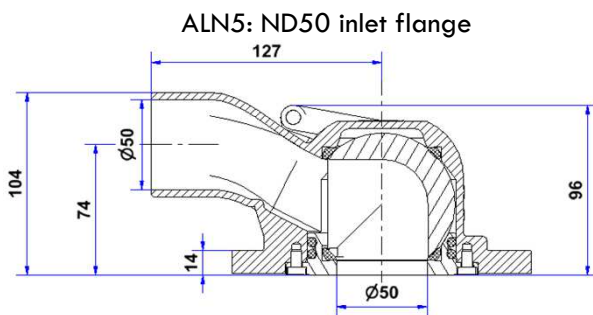
SPECIFICATION	
Nominal diameter	50mm (2")
Weight	5.2 Kg
Inlet flange drilling	ALN5: 4 holes Ø17 x PCD 125mm AKN5: 4 holes Ø18 x PCD 160mm
Outlet flange drilling	2" BSP*
Working Pressure	6 Bar
Test Pressure	9 Bar
Working Temperature	-40° to +150°C
Design Temperature	190°C

ACCESSORIES	
Weld-in flange (ALN5)	11 90 25 00 00
Weld-in flange (AKN5)	11 90 36 00 00
Recess flange	on request
Cap 2" BSP	11 17 11 20 00
Stud Kit	11 12 82 93 00
Inlet Gasket (ALN5)	11 90 29 00 00
Inlet Gasket (AKN5)	12 91 40 00 00
Remote Control	RMT 53
Remote Control Handle	11 14 75 91 00

CONFORMITY, CERTIFICATION & APPROVAL	
Complies with ADR / IMDG / RID / EN14432	
Approved by Bureau Veritas, A-C-I	

STANDARD FEATURES (See Codification for option)	
Made of (material)	316L / 1.4409 stainless steel
Compact design	Face to face 103 mm
Operation	Handle 1/4 Turn or Remote Control
Ball gaskets material	PTFE

DIMENSIONAL DRAWING



* Other drilling patterns on request

Due to our policy of continuous product improvement, specifications may change without notice - Specification sheet PWA 11 14 60 20 00 B

It is the customer's responsibility to check the compatibility between valves material and transported product.

PEROLO SAS, 69 Rue des Maçons, 33390 Blaye, FRANCE -Phone : + 33 (0)5 5742 67 00 - Email : sales@perolo.com



CODIFICATION

STANDARD PART NUMBER

ALN5/AKN5 X 6T 1 1 W

YOUR PART NUMBER

AL 5 6T

INLET FLANGE SIZE

2" inlet flange	N
3" inlet flange	K

MATERIAL

316L / 1.4409 stainless steel	X
-------------------------------	---

MAWP & SEAT MATERIAL

6 bar & PTFE	6T
--------------	----

INLET FLANGE DRILLING

ALN5: 4 holes Ø17 x PCD 125	1
AKN5: 4 holes Ø18 x PCD 160	1
AKN5: 6 holes Ø14 x PCD 168,5	2
AKN5: 4 holes Ø18 x PCD 160 & 6 holes Ø14 x PCD 168,5	3

OUTLET CONNECTION

2" BSP	1
2" NPT	2
90° elbow	3

HANDLE

Manually operated	M
Remote Control	W

