

MAINTENANCE

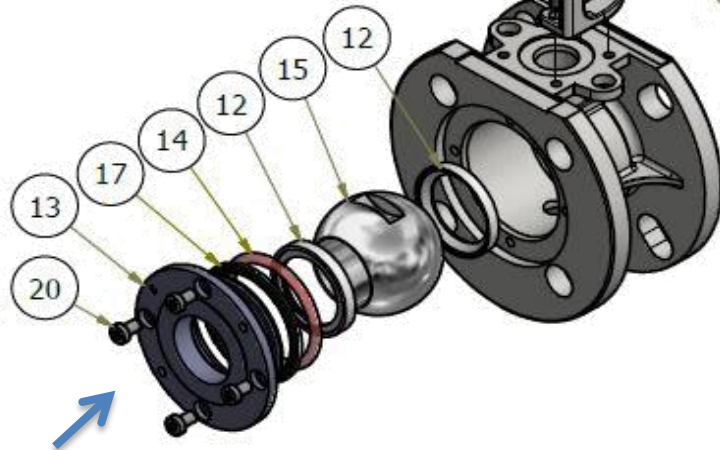
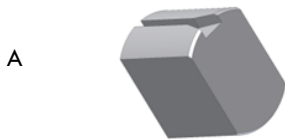
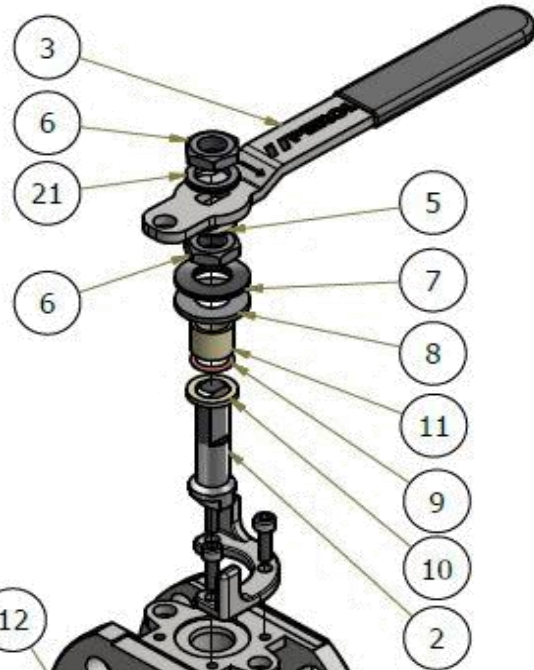
ITEM	QTY	DESIGNATION	PART N°
Ball seals kit: 11 12 82 91 00			
12	2	Ball seals (PTFE)	11 12 82 00 03
14	1	O'ring (FEP encapsulated)	70 10 15 00 95
17	1	O'ring (Viton)	70 10 01 02 32
Ball kit: 11 12 82 92 00			
15	1	Ball (stainless steel)	11 12 82 00 05
Drilled Ball kit: 11 12 39 97 00			
15	1	Drilled Ball (stainless steel)	11 12 82 00 17
Spindle seals kit: 11 12 42 93 00			
11	1	Bearing bush (PTFE)	11 12 39 00 14
9	1	O'ring (FEP encapsulated)	70 10 15 00 12
10	1	Spindle seal (PTFE)	11 12 39 00 21
Spindle:			
2	1	Spindle (stainless steel)	11 12 39 00 16
Handle kit: 11 14 16 92 00			
3	1	Handle (stainless steel)	11 12 39 00 22
	1	Handle cap, nitrile	-
5	1	Stop washer (stainless steel)	-
6	2	Nuts	-
7	1	Washer (stainless steel)	-
Clamping ring kit: 11 12 82 97 00			
13	1	Clamping ring (stainless steel)	-
20	4	Screws M6 (stainless st.)	-
Tools kit: 11 12 82 96 00			
A	1	Spindle assembly tool	11 12 82 95 01
B	1	O'ring assembly tool	11 12 82 95 02

Material of the parts are indicated for Stainless Steel Version.

It may vary in HALAR Coated version. Please refer to HIGH CORROSION Catalogue for more details

Nb: Perolo recommends

- the spindle seals should be changed simultaneously to maintain the ball valve spindle perfectly tight.
- both ball gaskets should be changed simultaneously
- when clamping ring is changed we recommend to also order ball seals kit



tightening torque 10 N.m.+/-5