



The Perolo ND40 ATCO™ FULL BORE self-contained ball valve is designed to be used as an air inlet or as a fluid inlet/outlet valve.

SPECIFICATION

Nominal diameter	40 mm (1 1/2")
Weight	4.7 Kg
Inlet flange drilling	4 holes x Ø18 x 110 PCD*
Outlet flange drilling	4 slotted Ø18 x 110 to 125 PCD*
Working Pressure	16 Bar / 4 bar for HT°
Test Pressure	24 Bar / 6 bar for HT°
Working Temperature	STD:-40°C to +150°C/HT°:-40°C to +250°C
Design Temperature	190°C / 250°C for HT°

NB: temperature range vary according to o'ring material

CONFORMITY, CERTIFICATION & APPROVAL

Complies with ADR / IMDG / RID / EN14432
 Approved by Bureau Veritas, A-C-I, RMR

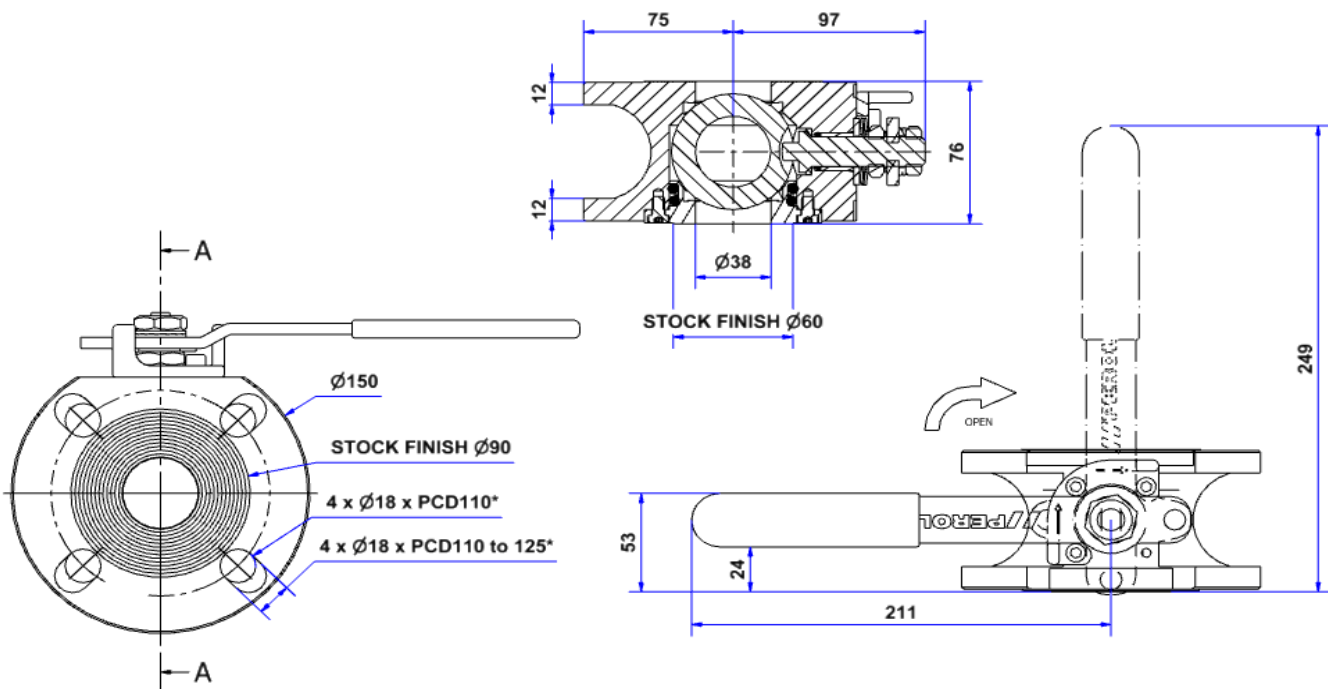
STANDARD FEATURES (See Codification for option)

Made of (material)	316L / 1.4408 Stainless steel
Compact design	Face to face 76 mm
Operation	Handle 1/4 Turn or Remote Control
Ball gaskets material	PTFE or PTFE/Graphite for HT°

ACCESSORIES

Weld-in flange	11 96 63 00 00
Recess flange	11 97 18 00 00
Blind flange EN14025	11 95 87 00 00
Bolting Kit	11 12 69 91 00
Gaskets	12 91 90 00 00
Remote Control	RMT 33
Remote Control Handle	11 14 55 91 00

DIMENSIONAL DRAWING



* Other drilling patterns on request

CODIFICATION

STANDARD PART NUMBER

AFN4 X 16T 1 2 0 0 S 0 0 .

YOUR PART NUMBER

AFN4 S 0 0

MATERIAL - Other on request

316L / 1.4408 stainless steel **X**

SEAT MATERIAL & MAWP

Standard PTFE seal 16 Bar **16T**

HT 250°C PTFE/Graphite seal 4 Bar **4H**

INLET FLANGE

4 x Ø18 x 110 PCD **1**

4 x Ø18 x 110 PCD 53° **2**

4 slotted 18 x 110 to 125 PCD **3**

OUTLET FLANGE

4 slotted Ø18 x 110 to 125 PCD **1**

4 x M16 x 110 PCD **2**

4 slotted Ø18 x 98,5 to 125 PCD **3**

4 x M16 x 110 PCD 55° **4**

4 x slotted Ø18 x 110 to 150 PCD **5**

4 x slotted Ø17 x 98,5 to 110 PCD **6**

4 x Ø18 x 110 PCD **7**

GAUGE CONNECTION

Without **0**

1/4" BSP gauge connection at 180° **1**

1/4" BSP gauge connection at 90° **2**

GAUGE PROTECTION

Without **0**

With at 180° **1**

With at 90° **2**

SEALING

With **S**

STEAM HEATING

Without **0**

HALAR COATING

Without **0**

For coated option, please refer to HIGH CORROSION Catalogue sheet.

HANDLE

With standard handle **.** Reverse handle **L**

Off set handle Ht=100 **M** Short handle **S**

Off set handle Ht=110 **N** Remote control handle **W**



BALL VALVE