



The Perolo 1 1/2" ATCO™ ball valve is designed to be used as an air inlet or as a fluid inlet/outlet valve. With a super compact design, the 1 1/2" ATCO™ is light & economic.

SPECIFICATION	
Nominal diameter	32mm (outlet 1 1/2")
Weight	3.5 Kg
Inlet Connection	4 x Ø11 x 103.5 PCD
Outlet Connection	4 x M16 x 98.4 PCD
Working Pressure	6.7 Bar
Test Pressure	10 Bar
Working Temperature	- 40° to +150°C (+250°C for HT)
Design Temperature	- 40° to +190°C

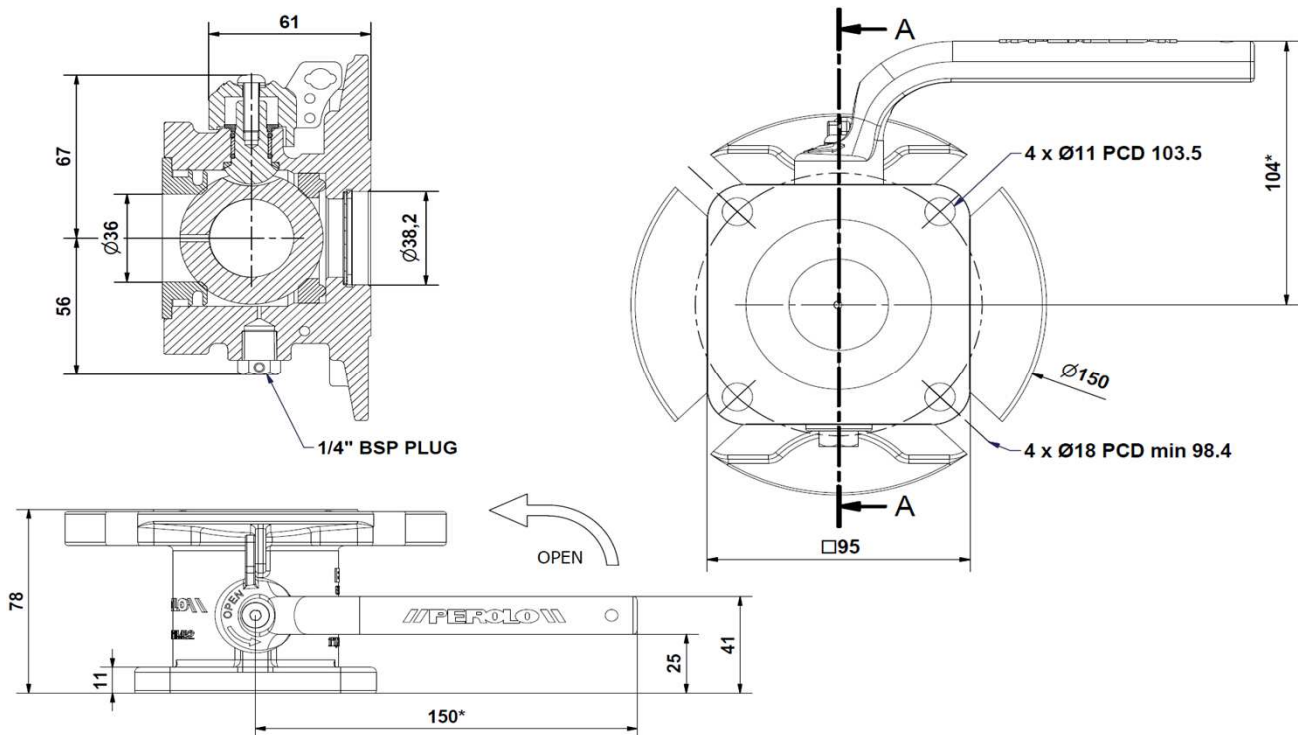
Temperature range vary according to the seal material

CONFORMITY, CERTIFICATION & APPROVAL	
Complies with ADR / IMDG / RID / EN14432	
Approved by Bureau Veritas - RMR	

STANDARD FEATURES (See Codification for option)	
Made of (material)	316L / 1.4409 stainless steel
Compact Design	Face To Face 78mm
Operation	Handle - 1/4 Turn or Remote Control
Ball seals material	PTFE

ACCESSORIES	
Weld-in flange	11 90 20 00 00
Recess Weld In Flange	11 91 12 00 00
Blind Flange	11 95 87 00 00
Gasket	12 91 90 00 00
Bolting Kit	17 12 10 95 00
Screw Kit	12 91 99 00 00
Gasket	12 91 90 00 00
Filter Kit	11 14 01 95 00
Remote Control	RMT 33
Remote control Handle	11 14 02 21 00
Pressure gauge	70 18 06 00 95

**DIMENSIONAL DRAWING**



CODIFICATION

STANDARD PART NUMBER

AF3 X 7 T 2 5 S 2 1 .

YOUR PART NUMBER

AF3 7 2 2

MATERIAL - Other on request

316L / 1.4409 stainless steel

X

MAWP

6.7 Bar

7

WORKING TEMPERATURE

Ball Seals PTFE +150°C

T

High temp +250°C ball seals PEEK

H

INLET FLANGE

4 x Ø10.5 x 103.5 PCD

2

OUTLET FLANGE - other on request

4 x M16 x 98.4 PCD

4

4 x slots Ø18 x min98.4 PCD

5

4 x M16 x 125 PCD

6

4 x M16 x 110 PCD

8

4 x Ø18 x 110 PCD

9

FILTER

Without

S

With

P

GAUGE CONNECTION & PLUG

1/4" BSP Connection & Plug

2

GAUGE PROTECTION

Without

1

With

2

REMOTE CONTROL HANDLE

Without remote control handle

.

With remote control handle

W

