

## 2" (ND50) ATCO<sup>TM</sup> Full Bore PN16 Ball Valve - AFN5X

The Perolo ND50 ATCO<sup>TM</sup> full bore ball valve is designed to be used as a fluid inlet/outlet valve.



### Specifications

Nominal diameter	50mm (2")
Weight	6.0 Kg
Inlet flange drilling	4 holes x $\varnothing 17$ x 125 PCD
Outlet flange drilling	4 holes x $\varnothing 17$ x 125 PCD
Working Pressure (MAWP)	16 Bar
Test Pressure	24 Bar
Working Temperature	-40° to +130°C

### Features

Made of (material)	316 / CF8M / 1.4404 stainless steel
Compact design	Face to face 81 mm
Maintenance	Easy maintenance
Handling operation	1/4 turn
Ball seals material	PTFE

### Options

Custom Drilling	on request
HALAR Coating	for high corrosive environment
Made of (other material)	Alloy 20/2.4660 / 904L
Gauge connection	with or without
Gauge protection	with or without
Sealing	with
Steam heating	with or without
High Temperature Version	on request
(working temperature range: -40° to + 250°C)	

### Conformity & Certifications

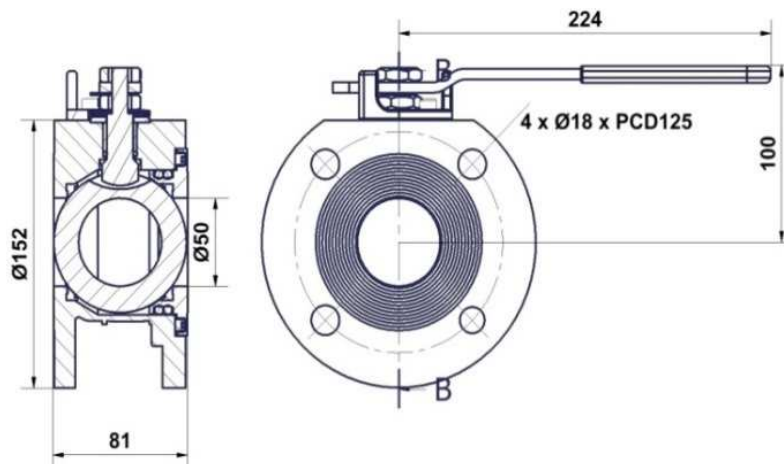
Comply with	ADR / IMDG / RID / EN14432
Approved by	Bureau Veritas

### Accessories

### Part n°

Weld-in flange	11.90.25.00.00
Recess flange	11.92.44.00.00
Blind flange	11.95.88.00.00
Stud kit	17.12.12.91.00
Gaskets	11.90.29.00.00
Tools kit	11.12.69.93.00

### Drawing



## 2" (ND50) ATCO™ Full Bore PN16 Ball Valve - AFN5X

### Codification

**1. Base code**

AFN5?16?    ?    ?    ?    ?    ?    ?    ?

**2. Body Material**

- 316 / 1.4404 CF8M stainless steel
- Alloy 20 / 2.4660
- 904L / 1.4539 stainless st. (on request)
- 304L / 1.4306 stainless st. (on request)
- Carbon steel WCB (on request)
- Full hastelloy C276 (on request)

X  
A  
U  
Y  
C  
H

**3. Seal material**

- PTFE seals
- High temperature seals

T  
H

**2. Inlet flange drilling**

- 4 x Ø17 x 125 PCD

1

**3. Outlet flange drilling**

- 4 slots x Ø17 x 125 PCD
- 4 x M16 x 125 PCD
- 4 x Ø18 x min 114 PCD

1  
2  
3

**4. Gauge connection**

- without
- 1/4" NPT gauge connection
- 1/4" BSP gauge connection

0  
1  
2

**5. Gauge protection**

- without
- with

0  
1

**6. Sealing**

- with
- without

S  
0

**7. Steam heating**

- without
- with

0  
S

**8. HALAR coating**

- without
- HALAR coated body and Hastelloy C276 solid ball
- HALAR coated body and Hastelloy C276 hollow ball

0  
R  
H

**Standard Part Number**

AFN5X16T    1    2    0    0    S    0    0