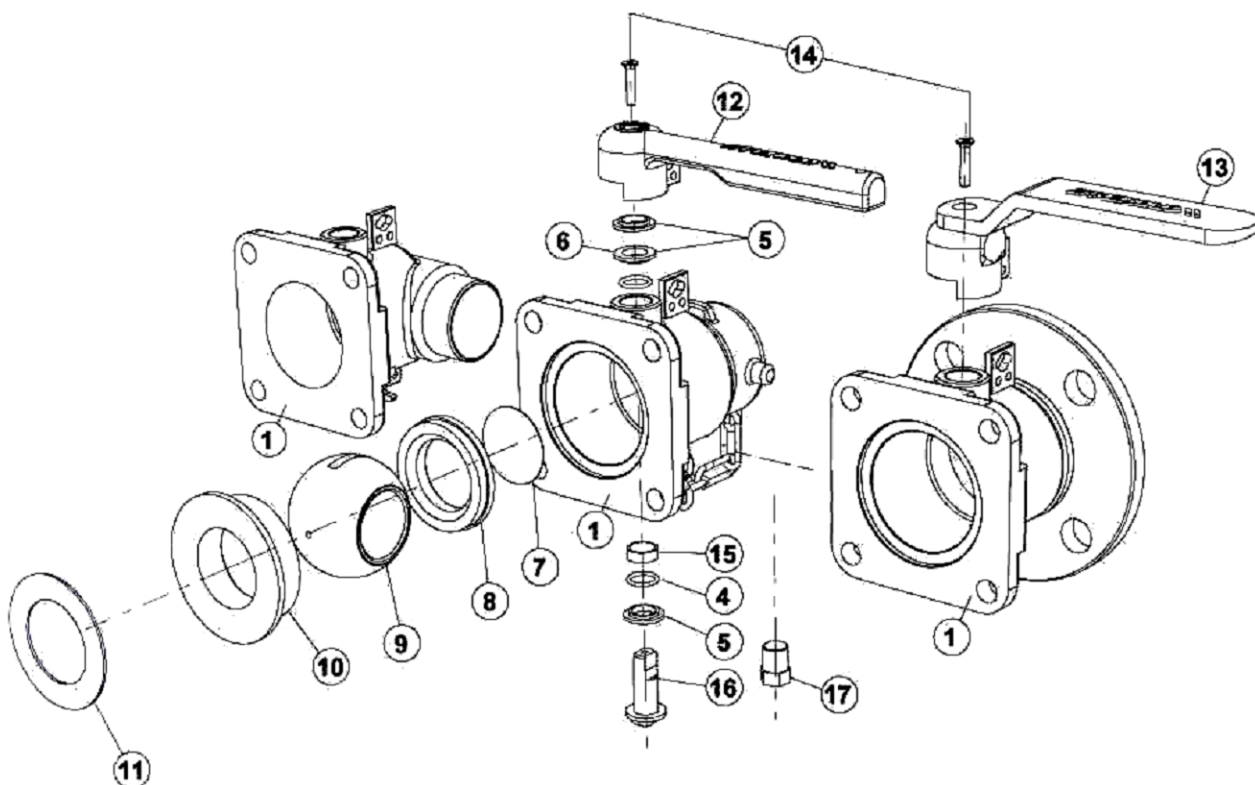


1 1/2" "ATCO"TM air inlet ball valve straight threaded

Maintenance sheet

1 1/2" "ATCO"TM
air inlet ball valve



MAINTENANCE KIT		
ITEM	DESIGNATION	CODE
for ATCO flanged model		
13-14-16	Handle and spindle maintenance set	11 91 07 00 00
for ATCO straight and dual models		
12-14-16	Handle and spindle maintenance set	11 91 08 00 00
for all models		
4-5-6-15	O'ring maintenance set	11 91 06 00 00
8-10	Ball seals kit standard for models after serial number 39/02	11 91 09 00 00
9	Ball	12 96 06 00 09
7	Gauze filter	12 91 94 00 00
8-10	Ball seals kit (hight temperature)	12 96 06 94 00
8-10-11	Ball seals kit standard for models before serial number 39/02	12 96 07 93 00